

3-AXIS DIGITAL DRIVE FOR SERVO & STEPPER MOTORS

Servo Control Modes

- Profile Position-Velocity, Interpolated Position, Homing
- Indexer, Point-to-Point, PVT
- Camming, Gearing
- Position/Velocity/Torque

Stepper Control Modes

- Cyclic Synchronous Position (CSP)
- Profile Position-Velocity-Torque, Interpolated Position, Homing
- Position (Microstepping)
- Position/Velocity/Torque (Servo Mode)
- Indexer, Point-to-Point, PVT
- Camming, Gearing

Command Interface

- CANopen
- ASCII and discrete I/O
- Stepper commands
- $\pm 10V$ or PWM velocity/torque (servo mode)
- Master encoder (Gearing/Camming)

Communications

- CANopen
- RS-232

Feedback

- Digital quad A/B/X encoder
- Absolute encoders
- Sin/Cos encoders
- Digital Halls

I/O Digital

- 19 HS inputs
- 3 MOSFET outputs
- 6 CMOS HS outputs

I/O Analog

- 3 $\pm 10V$ inputs

I/O SLI

- 1 HS input
- 3 CMOS HS outputs

Dimensions: mm [in]

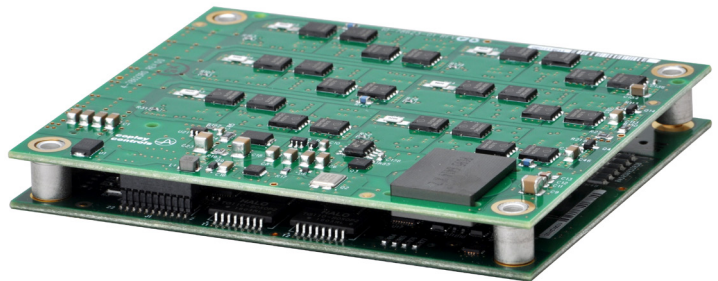
- 101.6 x 85.1 x 21 [4.0 x 3.35 x 0.83]

DESCRIPTION

The MP3 is a 3-axis, high-performance, DC powered drive for position, velocity, and torque control of stepper and motors via CANopen. Using advanced FPGA technology, the MP3 provides a significant reduction in the cost per node in multi-axis CANopen systems.

Each of the three axes in the MP3 operate as CANopen nodes under CiA-402 for motion control devices. Supported modes include: Profile Position-Velocity, Interpolated Position Mode (PVT), and Homing.

Servo mode of steppers allows CANopen or digital PWM control of position/velocity/torque. In microstepping mode stepper command pulses and master encoder for camming or gearing is supported.



Model	Ic	Ip	Vdc
MP3-090-10	5	10	14~90

Nineteen high-speed digital inputs with programmable functions are provided. There are six CMOS high-speed outputs. Three MOSFET outputs that are 24V compatible can power motor brakes.

An SLI port is provided with one high-speed input and three high-speed digital outputs. If not used for SLI, the input and outputs are programmable for other functions.

An RS-232 serial port provides a connection to Copley's CME software for commissioning, firmware upgrading, and saving configurations to flash memory. The CANopen port is optically isolated.

Drive power is transformer-isolated DC from regulated or unregulated power supplies. An AuxHV input is provided for "keep-alive" operation permitting the drive power stage to be completely powered down without losing position information, or communications with the control system.

GENERAL SPECIFICATIONS

Test conditions: Load = Bipolar stepper: 2 mH + 2 Ω per phase. Ambient temperature = 25°C, +HV = HV_{max}

MODEL	MP3-090-10	
OUTPUT POWER (each axis)		
Peak Current	10 (7.07)	Adc (Arms-sine), ±5%
Peak time	1	Sec
Continuous current	5 (3.53)	Adc (Arms-sine) per phase (Note 1)
Maximum Output Voltage	Vout = HV*0.97 - Rout*Iout	
INPUT POWER (module)		
HVmin~HVmax	+14 to +90	Vdc Transformer-isolated
Ipeak	30	Adc (1 sec) peak
Icont	15	Adc continuous (Note 1)
Aux HV	24 Vdc typ , 12.3 W max with all encoders @ 500 mA, 2.6 W max with no encoders	
PWM OUTPUTS		
Type	Dual H-bridge MOSFET , 12.5 kHz center-weighted PWM, space-vector modulation	
PWM ripple frequency	25 kHz	
CONTROL MODES SERVO		
CANopen: Profile Position/Velocity/Torque, Interpolated Position (PVT), Homing		
Analog ±10 Vdc velocity/torque, 12-bit resolution		
Digital PWM velocity/torque		
Digital position: CW/CCW, Pulse/Direction, Quadrature A/B		
Discrete I/O: Camming, internal indexer and function generator		
CONTROL MODES STEPPER		
CANopen: Profile Position/Velocity (/Torque in servo mode), Interpolated Position (PVT), Homing		
Analog ±10 Vdc velocity (/Torque in servo mode), 12-bit resolution		
Digital PWM velocity (/Torque in servo mode)		
Digital stepper position commands, CW/CCW, Pulse/Direction, Quadrature A/B		
Discrete I/O: Camming, internal indexer and function generator		
COMMAND INPUTS		
Type	CANopen, galvanically isolated from drive circuits	
Signals & format	CAN_H, CAN_L, CAN_GND	
Device ID Selection	Programmable, or via digital inputs	
Analog	±10 Vdc, torque/velocity control, 12-bit resolution	
Digital	High speed inputs for PWM velocity/torque and stepper/encoder position commands	
Camming	Quad A/B digital encoder	
DIGITAL CONTROL		
Digital Control Loops	Current, velocity, position. 100% digital loop control	
Sampling rate (time)	Current loop: 12.5 kHz (80 μs), Velocity & position loops: 2.5 kHz (400 μs) See note 2.	
Commutation	Sinusoidal, field-oriented control for stepper motors	
Modulation	Center-weighted PWM with space-vector modulation	
Bandwidths	Current loop: 2.5 kHz typical, bandwidth will vary with tuning & load inductance	
HV Compensation	Changes in bus voltage do not affect bandwidth	
Minimum load inductance	200 μH line-line	
ANALOG INPUTS		
Number	3	
Type	±10 Vdc, 12-bit resolution, differential	
DIGITAL INPUTS		
Number, type	19, 74LVC14 Schmitt trigger, Vcc = 3.3 Vdc, + = 1.1~2 Vdc, V _{T-} = 0.8~1.5 Vdc, V _{H+} = 0.3~1.2 Vdc	
[IN1~18]	High-speed (HS) digital, 100 ns RC filter, 10 kΩ pull-up to +3.3 Vdc, 7V tolerant	
[IN19]	SLI port MISO input, 47 ns RC filter, 10 kΩ pull-up to +3.3 Vdc, 7V tolerant	
Halls	9, 74HC14 Schmitt trigger, V _{T+} = 2.5~3.5 Vdc, V _{T-} = 1.3~2.2 Vdc, V _{H+} = ±0.7~1.5 Vdc	
	High-speed (HS) digital, 100 ns RC filter, 10 kΩ pull-up to +5 Vdc, 24V tolerant	
Functions	Default functions are shown above, programmable to other functions	
DIGITAL OUTPUTS		
Number	9	
[OUT1~3]	Open-drain MOSFET with 1 kΩ pull-up with series diode to +5 Vdc	
	300 mAdc max, +30 Vdc max. Functions programmable	
	External flyback diodes required for driving inductive loads	
[OUT4~9]	SLI port MOSI, SCLK, SS1 signals, 74AHCT240 line drivers; +5 Vdc tolerant;	
	Output current:-8 mA source @ V _{OH} = 2.4V, 6 mA sink at V _{OL} = 0.5V	
Functions	Default functions are shown above, programmable to other functions	
DC POWER OUTPUT		
Number	3	
Ratings	+5 Vdc, 500 mA max each output, thermal and short-circuit protected	
RS-232 PORT		
Signals	Rx/D, Tx/D, Gnd for operation as a DTE device	
Mode	Full-duplex, DTE serial port for drive setup and control, 9,600 to 115,200 Baud	
	Baud rate defaults to 9,600 after power-on or reset. Programmable to 19,200, 57,600, 115,200	
Protocol	ASCII or Binary format	

Notes:

- 1) Forced-air cooling may be required for operation at full output power on all axes.
- 2) Default settings for current and position loop frequencies. User programmable for other frequencies.

GENERAL SPECIFICATIONS

FEEDBACK (each axis)

Incremental:

Digital Incremental Encoder Quadrature signals, (A, /A, B, /B, X, /X), differential (X, /X Index signals not required)
5 MHz maximum line frequency (20 M counts/sec)
MAX14891 differential line receiver with fault detection for A, B, X inputs

Analog Incremental Encoder Sin/Cos format (sin+, sin-, cos+, cos-), differential, 1 Vpeak-peak,
Digital Index (X, /X) input

Absolute:

SSI Clock (X, /X), Data (A, /A) signals
EnDat Clock (X, /X), Data (A, /A) signals
Absolute A Tamagawa Absolute A, Panasonic Absolute A Format, Sanyo Denki Absolute A
SD+, SD- (A, /A) signals, 2.5 or 4 MHz, 2-wire half-duplex communication
Status data for encoder operating conditions and errors

BiSS (B&C) MA+, MA- (X, /X), SL+, SL- (A, /A) signals, 4-wire, clock output from MP3, data returned from encoder

Secondary:

3 MAX3362 differential line receiver/transmitters, programmable as incremental encoder A/B/X,
or absolute full-duplex X (clock) and A (data), or half-duplex A (clock/data)
9 74HC14 Schmitt trigger, Vcc = 5.0V, V_{T+} = 1.8~3.5 Vdc, V_{T-} = 1.0~2.2 Vdc, V_{IL+} = 0.47~1.47 Vdc

Halls

MOTOR CONNECTIONS (each axis)

Phase U, V, W PWM outputs to 3-phase ungrounded Wye or delta connected brushless motors, or DC brush motors
Phase A, /A, B, /B Dual PWM H-bridge outputs for each axis to drive stepper motors with bipolar windings
Output functions are individually programmable to drive servo or stepper motors

Encoders See FEEDBACK section above
Hall & encoder power See DC POWER OUTPUTS section

PROTECTIONS

HV Overvoltage +HV > 90 Vdc Drive outputs turn off until +HV < 90 Vdc
HV Undervoltage +HV < +14 Vdc Drive outputs turn off until +HV > +14 Vdc
Drive over temperature Heat plate > 70°C. Drive outputs turn off
Short circuits Output to output, output to ground, internal PWM bridge faults
I²T Current limiting Programmable: continuous current, peak current, peak time
Motor over temperature Digital inputs programmable to detect motor temperature switch
Feedback Loss Inadequate analog encoder amplitude or missing incremental encoder signals

MECHANICAL & ENVIRONMENTAL

Size mm [in] 101.6 x 85.1 x 21 [4.0 x 3.35 x 0.83]
Weight MP3: 0.09 kg [0.20 lb], MP3 + DevKit: 0.38 kg [0.84 lb]
Ambient temperature 0 to +45°C operating, -40 to +85°C storage
Humidity 0 to 95%, non-condensing
Vibration 2 g peak, 10~500 Hz (sine), IEC60068-2-6
Shock 10 g, 10 ms, half-sine pulse, IEC60068-2-27
Contaminants Pollution degree 2
Environment IEC68-2
Cooling Forced air cooling may be required for continuous power output

AGENCY STANDARDS CONFORMANCE

In accordance with EC Directive 2014/30/EU (EMC Directive)

EN 55011 CISPR 11
Industrial, Scientific, and Medical (ISM) Radio Frequency Equipment –
Electromagnetic Disturbance Characteristics – Limits and Methods of Measurement
Group 1, Class A

EN 61000-6-1 Electromagnetic Compatibility (EMC) – Part 6-1: Generic Standards –
Immunity for residential, Commercial and Light-industrial Environments

In accordance with EC Directive 2014/35/EU (Low Voltage Directive)

IEC 61010-1 Safety Requirements for Electrical Equipment for Measurement, Control and Laboratory Use

Underwriters Laboratory Standards

UL 61010-1, 3rd Ed Electrical Equipment for Measurement, Control and Laboratory Use;
Part 1: General Requirements

UL File Number E168959

Restriction of the Use of Certain Hazardous Substances (RoHS)

Directive 2011/65/EU (RoHS II) and its amendments EU Directive 2015/863



RoHS Directive 2011/65/EU is now part of the CE marking procedure

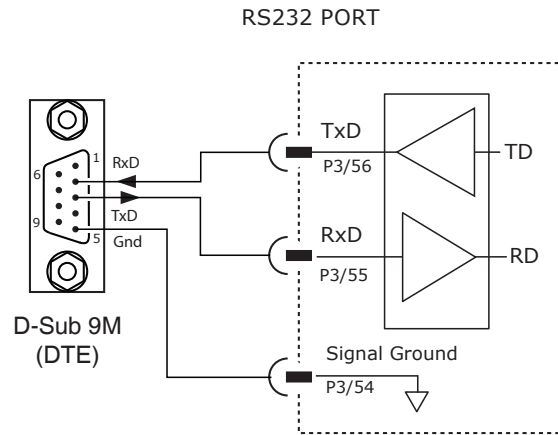
CME SOFTWARE

Drive setup is fast and easy using *CME* software. All of the operations needed to configure the drive are accessible through this powerful and intuitive program. Auto-phasing of brushless motor Hall sensors and phase wires eliminates “wire and try”. Connections are made once and *CME* does the rest thereafter. Encoder wire swapping to establish the direction of positive motion is eliminated. Motor data can be saved as .CCM files. Drive data is saved as .CCX files that contain all drive settings plus motor data. This eases system management as files can be cross-referenced to drives. Once a drive configuration has been completed systems can be replicated easily with the same setup and performance.

RS-232 COMMUNICATIONS

The MP3 is configured via a three-wire, full-duplex RS-232 port that operates as a DTE from 9,600 to 115,200 Baud. *CME* software communicates with the drive over this link for commissioning and adjustments.

When operating as a stand-alone drive that takes command inputs from an external controller, *CME* is used for configuration. When operated as a CAN node, *CME* is used for programming before and after installation in a CAN network. The MP3 can also be controlled via *CME* while it is in place as a CAN node. During this process, drive operation as a CAN node is suspended. When adjustments are complete, *CME* relinquishes control of the drive and returns it to the CAN node state. Multiple drives can communicate over a single RS-232 port by daisy-chaining the master drive to other drives using CAN cables. The master drive does the RS-232 communication with the system and echoes the commands to the other drives over the CAN bus.



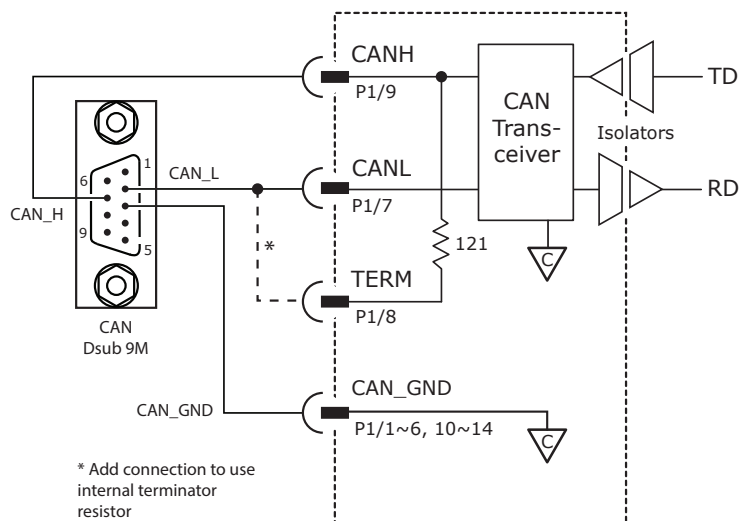
CANOPEN COMMUNICATIONS

Based on the CAN V2.0b physical layer, a robust, two-wire communication bus originally designed for automotive use where low-cost and noise-immunity are essential, CANopen adds support for motion-control devices and command synchronization. The result is a highly effective combination of data-rate and low cost for multi-axis motion control systems. Device synchronization enables multiple axes to coordinate moves as if they were driven from a single control card.

The MP3 uses the CAN physical layer signals CANH, CANL, and GND for connection, and CANopen protocol for communication. Before installing the drive in a CAN system, it must be assigned a CAN Node-ID (address). A maximum of 127 CAN nodes are allowed on a single CAN bus. Up to seven digital inputs can be used to produce CAN Node-IDs from 1~127, or the Node-ID can be saved to flash memory in the module. Node-ID 0 is reserved for the CANopen master on the network.

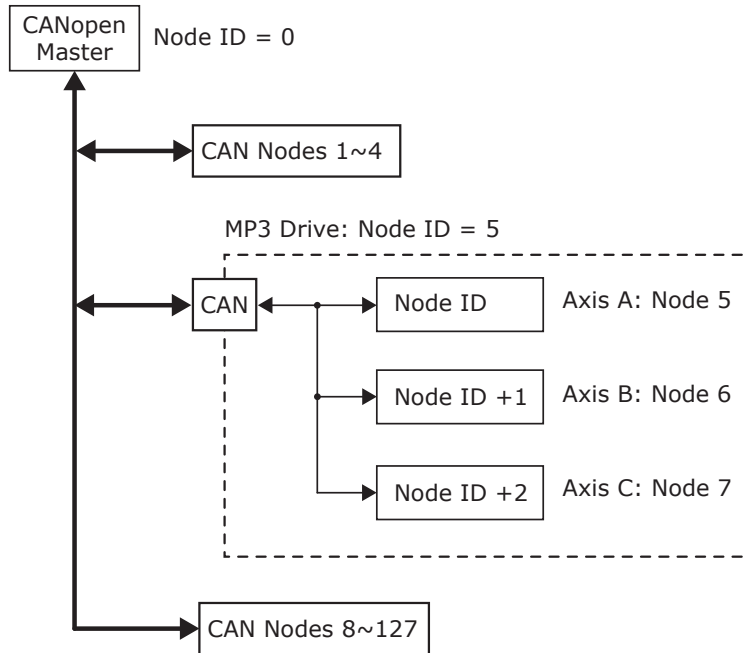
CANOPEN CONNECTIONS

The graphic shows connections between the MP3 and a Dsub 9M connector on a CAN card. If the MP3 is the last node on a CAN bus, the internal terminator resistor can be used by adding a connection on the PC board as shown. The node Node-ID of the MP3 may be set by using digital inputs, or programmed into flash memory in the drive.



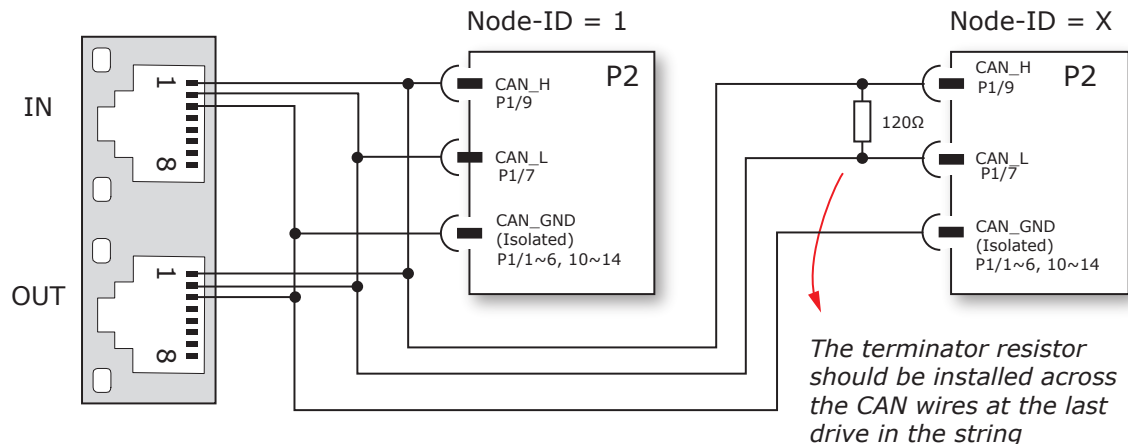
CANOPEN DEVICE ID SWITCHES

The Node-ID of the MP3 can be set in flash memory, or read from 16-position switches via an SLI port. An SLI port circuit and switches is included in the MP3 Development Kit. Users can add this circuit to their own mounting boards. The Node ID can be set in flash memory using Copley CME software. On a CAN network, the MP3 will appear as three consecutive nodes. When the "base" Node-ID is configured either via SLI or flash programming, it will address Axis A. Then, Axes B, and C will be automatically assigned Node-ID's based on the base ID. The Axis-B ID will be Axis-A ID +1. Axis-C will be Axis-A +2. Whatever Node-ID is assigned to the MP3, a total of three IDs with consecutive values will result. In the graphic below, the base ID of the MP3 is set to 5 resulting in IDs of 5,6, and 7 for the three axes. Node-ID 0 is reserved for the CANopen Master, and the maximum Node-ID allowed is 127. This leaves ID 1~4, and 8~127 available for use by other devices on the network.



CANOPEN CONNECTIONS FOR MULTIPLE MODULES

The graphic below shows two MP3 wired to a CAN network. The lowest Node-ID allowable on a CAN network is 1 which will allocate IDs 1~X for MP3#1. MP3#2 must have a *minimum* Node-ID equal to Node-ID#X+1. When the MP3-X is the last node on the CAN bus, the terminator resistor should be installed by connecting it as shown on the mounting board and as close as possible to the drive.

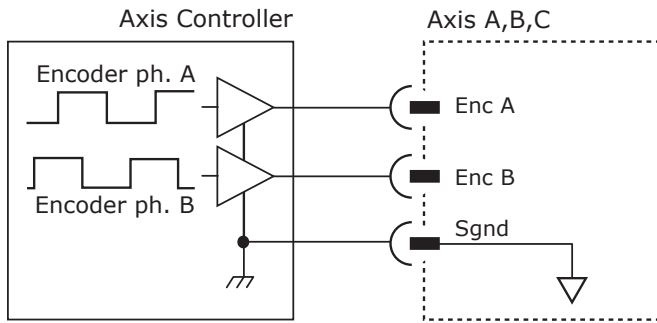


DIGITAL COMMAND INPUTS

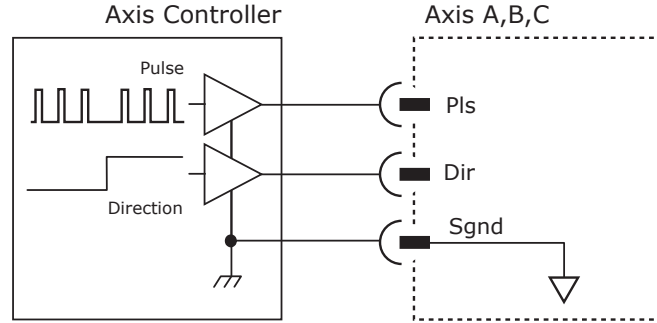
Digital commands are single-ended format and should be sourced from devices with active pull-up and pull-down to take advantage of the high-speed inputs. The active edge (rising or falling) is programmable for the Pulse/Dir and CU/CD formats.

DIGITAL POSITION

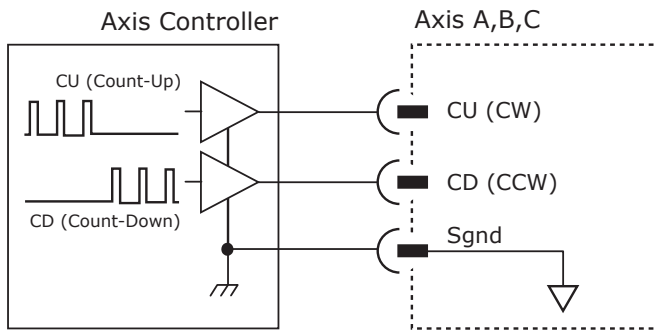
QUAD A/B ENCODER



PULSE & DIRECTION



CU/CD (PULSE UP / PULSE DOWN)



SIGNALS & PINS

Functions			Axis A		Axis B		Axis C	
			P3 Pins	Signal	P3 Pins	Signal	P3 Pins	Signal
Enc A	Pulse	CW	27	[IN5]	33	[IN11]	39	[IN17]
Enc B	Dir	CCW	28	[IN6]	34	[IN12]	40	[IN18]

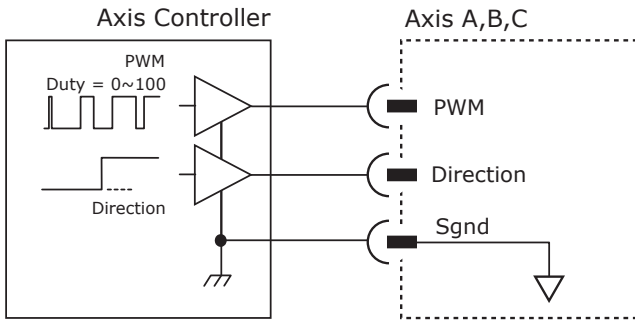
Note:
The pins in the chart are on connector P2. The functions shown are the defaults. These can be programmed for other functions.

Note:
1) The functions shown for [IN5~6], [IN11~12], and [IN17~18] apply when they are used as digital command inputs for position control. These inputs are programmable if not used for these functions.

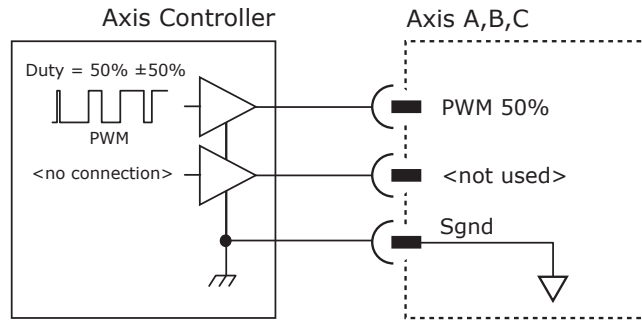
DIGITAL COMMAND INPUTS (CONT'D)

DIGITAL TORQUE, VELOCITY

PWM COMMAND (100% DUTY CYCLE)

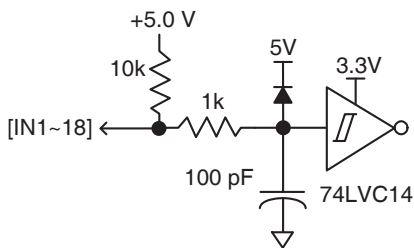


PWM COMMAND (50% DUTY CYCLE)



DIGITAL COMMAND INPUTS

HIGH SPEED INPUTS [IN1~18]
5V tolerant



HI/LO DEFINITIONS: INPUTS

Input	State	Condition
IN1~19	HI	Vin >= 1.1~2.2 Vdc
	LO	Vin <= 0.8~1.5 Vdc
	V _{hys}	0.3~1.2 Vdc

SIGNALS & PINS

The pins in the chart are on connector P2

Function		Axis A		Axis B		Axis C	
		P3 Pins	Signal	P3 Pins	Signal	P3 Pins	Signal
PWM	PWM 50%	27	[IN5]	33	[IN11]	39	[IN17]
Polarity	n/a	28	[IN6]	34	[IN12]	40	[IN18]

Note:

The functions shown for [IN5~6], [IN11~12], and [IN17~18] apply when they are used as digital command inputs for position control. These inputs are programmable if not used for these functions.

DIGITAL INPUTS

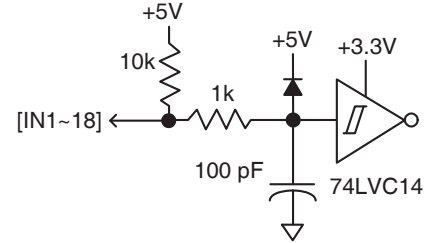
DIGITAL INPUTS

MP3 has 19 high-speed digital inputs, all of which have programmable functions. They are compatible with 5V logic and have 100 ns R/C filters when driven by devices with active pull-up/pull-down outputs.

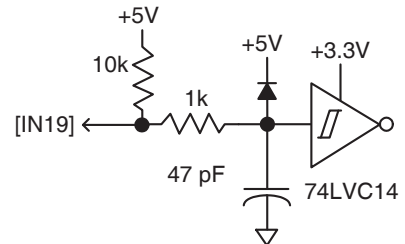
Programmable functions of the digital inputs include:

- Drive Enable
- Positive Limit switch
- Negative Limit switch
- Digital Command Inputs
- Home switch
- Drive Reset
- Motion abort

HIGH-SPEED DIGITAL INPUTS
+5 VDC MAX



HIGH-SPEED DIGITAL INPUT
SLI PORT MISO SIGNAL
+5 VDC MAX



Functions					Axis A		Axis B		Axis C	
					P3 Pins	Signal	P3 Pins	Signal	P3 Pins	Signal
Enable					23	[IN1]	29	[IN7]	35	[IN13]
Pos Limit					24	[IN2]	30	[IN8]	36	[IN14]
Neg Limit					25	[IN3]	31	[IN9]	37	[IN15]
					26	[IN4]	32	[IN10]	38	[IN16]
Enc A	Pulse	CW	PWM	PWM 50%	27	[IN5]	33	[IN11]	39	[IN17]
Enc B	Dir	CCW	Polarity	n/a	28	[IN6]	34	[IN12]	40	[IN18]
SLI Port MISO input									52	[IN19]

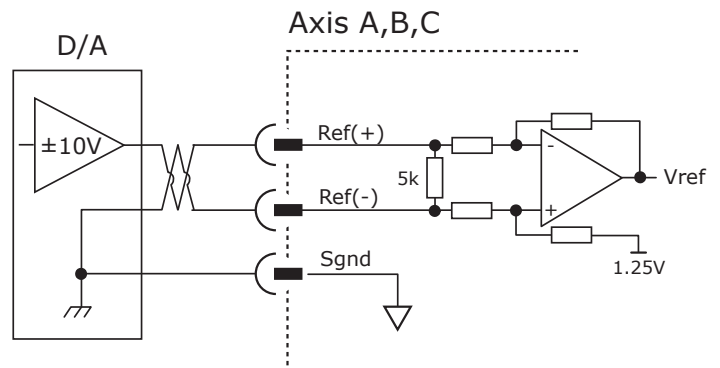
The pins in the chart are on connector P2. The functions shown are the defaults. All of these inputs can be programmed for other functions. P2 Signal Ground pins are: 1, 2, 21, 22, 41, 42, 53, 54.

ANALOG INPUTS

The analog inputs have a ±10 Vdc range. As reference inputs they can take position/velocity/torque commands from a controller.

SIGNALS & PINS

Functions	Axis A	Axis B	Axis C
	P3 Pins	P3 Pins	P3 Pins
Ref(+)	3	5	7
Ref(-)	4	6	8

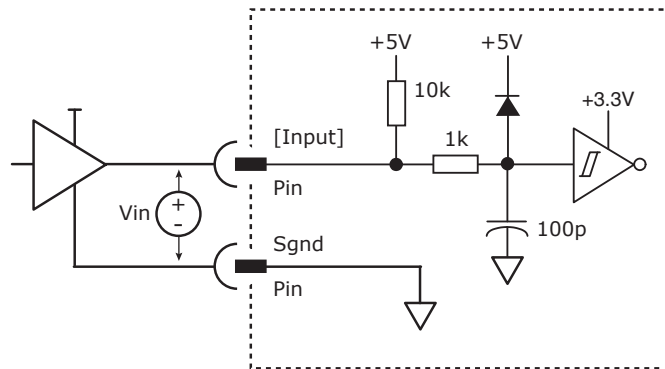


DIGITAL INPUT DETAILS

HIGH SPEED DIGITAL INPUTS [IN1~IN18]
5V tolerant

Input	State	Condition
IN1~18	HI	$V_{in} \geq 1.1 \sim 2.2 \text{ Vdc}$
	LO	$V_{in} \leq 0.8 \sim 1.5 \text{ Vdc}$
	V _{hys}	0.3~1.2 Vdc
	R-C	100 ns

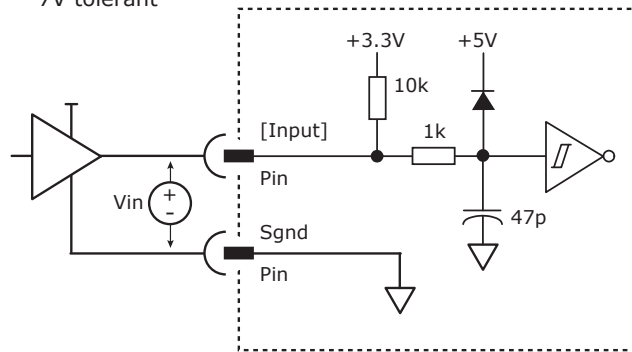
HIGH SPEED DIGITAL INPUTS [IN1~IN18]
7V tolerant



HI/LO DEFINITIONS: INPUT [IN19]

Input	State	Condition
IN13~19	HI	$V_{in} \geq 1.1 \sim 2.2 \text{ Vdc}$
	LO	$V_{in} \leq 0.8 \sim 1.5 \text{ Vdc}$
	V _{hys}	0.3~1.2 Vdc
	R-C	47 ns

HIGH SPEED DIGITAL INPUT [IN19] SLI MISO
7V tolerant



Notes:

The functions for all of these inputs are programmable:

- [IN1], [IN7], and [IN13] are the defaults for the Axis-A, Axis-B, and Axis-C Enable functions.
- [IN2~4], [IN8~10], and [IN14~16] are typically used for Pos/Neg limit switches, and Home switch.
- [IN5~6], [IN11~12], and [IN17~18] are the digital command input defaults for Position, Velocity, or Torque control.
- [IN19] is the MISO input when SLI is used.

Functions					Axis A		Axis B		Axis C	
					P3 Pins	Signal	P3 Pins	Signal	P3 Pins	Signal
Enable					23	[IN1]	29	[IN7]	35	[IN13]
Positive Limit Switch					24	[IN2]	30	[IN8]	36	[IN14]
Negative Limit Switch					25	[IN3]	31	[IN9]	37	[IN15]
Home Switch					26	[IN4]	32	[IN10]	38	[IN16]
Enc A	Pulse	CW	PWM	PWM 50%	27	[IN5]	33	[IN11]	39	[IN17]
Enc B	Dir	CCW	Polarity	n/a	28	[IN6]	34	[IN12]	40	[IN18]
SLI Port MISO input									52	[IN19]

The pins in the chart are on connector P2. The functions shown are the defaults.

All of these inputs can be programmed for other functions.

P2 Signal Ground pins are: 1, 2, 21, 22, 41, 42, 53, 54.

DIGITAL OUTPUT DETAILS

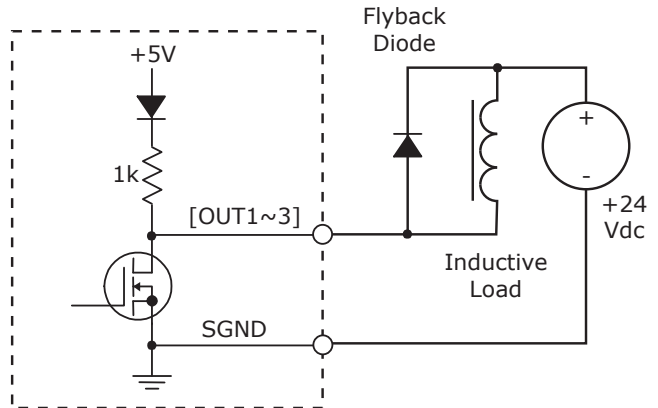
MOSFET OUTPUTS [OUT1~3]

Function	P3 Pin
[OUT1]	43
[OUT2]	44
[OUT3]	45

HI/LO DEFINITIONS: OUTPUTS 1~3

Output	State	Condition
OUT1~3	HI	MOSFET OFF
	LO	MOSFET ON

MOSFET DIGITAL OUTPUTS: INDUCTIVE LOADS



Note: All outputs are programmable for other functions than the ones shown here.

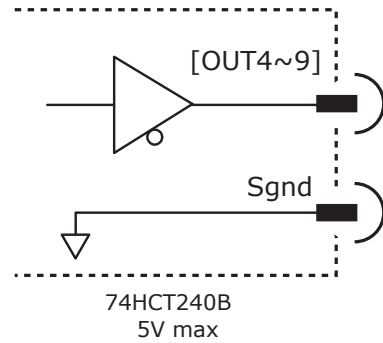
HIGH SPEED DIGITAL OUTPUTS [OUT4~9]

Output	P3 Pin	SLI Signals
[OUT4]	46	
[OUT5]	47	
[OUT6]	48	
[OUT7]	49	SLI EN1
[OUT8]	50	SLI Clock
[OUT9]	51	SLI MOSI

HI/LO DEFINITIONS: OUT4~9

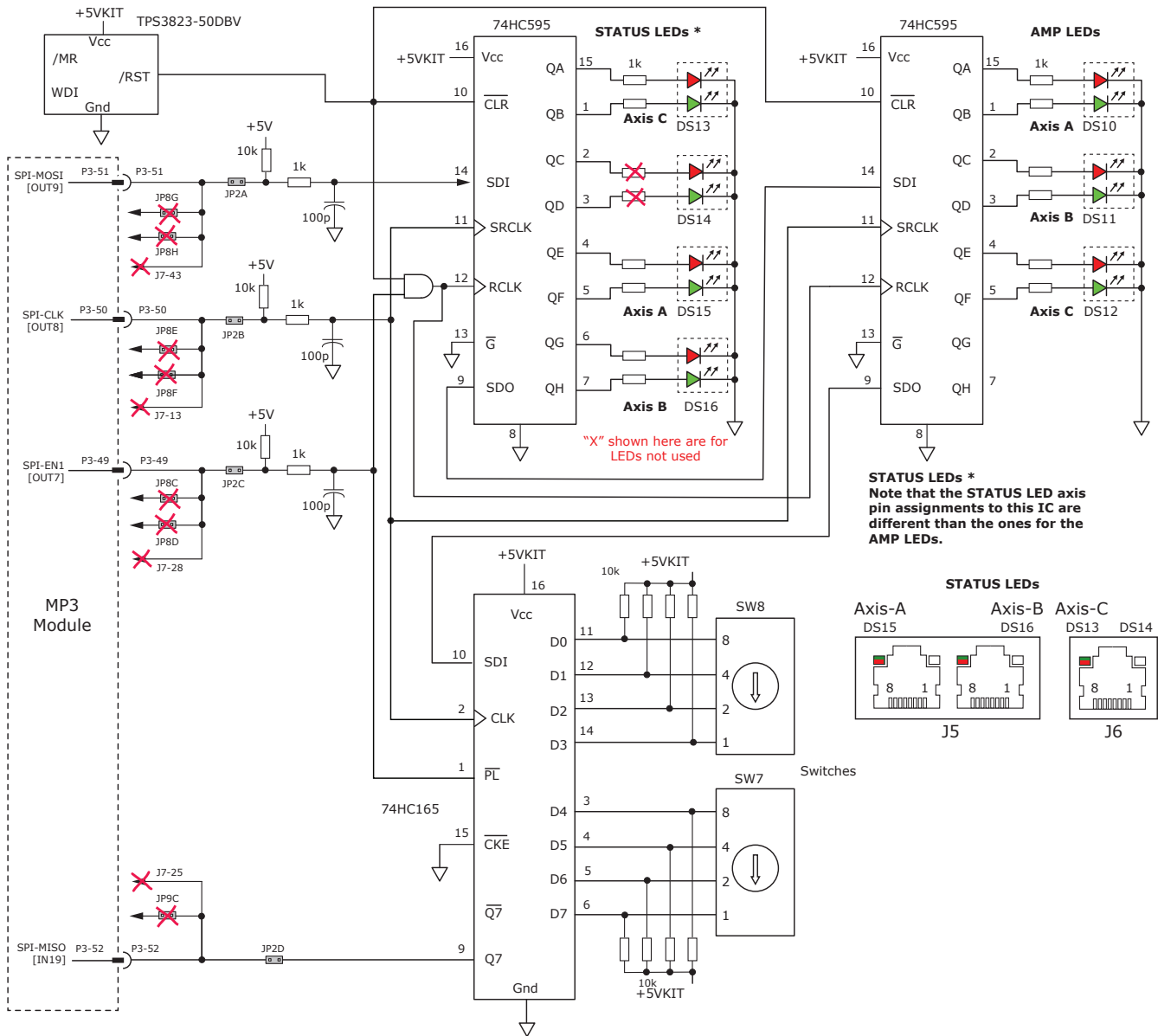
Output	State	Condition
OUT4~9	HI	$V_{out} \geq 2.2 \text{ Vdc}$
	LO	$V_{out} \leq 0.8 \text{ Vdc}$

HIGH SPEED DIGITAL OUTPUTS [OUT4~9]



SLI PORT

This graphic shows all of the SLI port outputs and input together. The connections shown are those used on the MP3 Development Kit as an example of the port's usage for inputs and outputs.



HI/LO DEFINITIONS: OUTPUTS

Input	State	Condition
[OUT7~9]	HI	Vout >= 2.2 Vdc
	LO	Vout <= 0.8 Vdc

SIGNALS & PINS

Output	P2 Pin	SLI Signals
[OUT7]	49	SLI EN1
[OUT8]	50	SLI Clock
[OUT9]	51	SLI MOSI
[IN19]	52	SLI MISO

If these signals are not used for the SLI port, they are programmable for other functions.

FEEDBACK CONNECTIONS

Motor connections consist of: phases, Halls, encoder, thermal sensor, and brake. The phase connections carry the drive output currents that drive the motor to produce motion. The Hall signals are three digital signals that give absolute position feedback within an electrical commutation cycle of brushless motors. Encoder signals give position feedback and are used for velocity and position modes, as well as sinusoidal commutation. A thermal sensor that indicates motor overtemperature is used to shut down the drive to protect the motor. A brake can provide a fail-safe way to prevent movement of the motor when the drive is shut-down or disabled.

QUAD A/B INCREMENTAL ENCODER WITH FAULT PROTECTION (PRIMARY FEEDBACK ONLY)

Encoders with differential line-driver outputs provide incremental position feedback via the A/B signals and the optional index signal (X) gives a once per revolution position mark. The MAX14891 receiver has differential inputs with fault protections for the following conditions:

Short-circuits line-line: This produces a near-zero voltage between A & /A, B & /B, and X & /X which is below the differential fault threshold.

Open-circuit condition: A 121Ω terminator resistor will pull the inputs together if either side (or both) is open. This will produce the same fault condition as a short-circuit across the inputs.

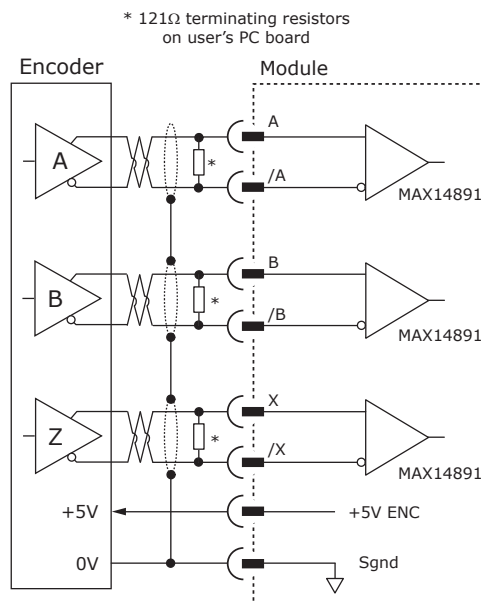
Low differential voltage detection: This is possible with very long cable runs and a fault will occur if the differential input voltage is < 200mV.

±25kV ESD protection: The MAX14891 has protection against high-voltage discharges using the Human Body Model.

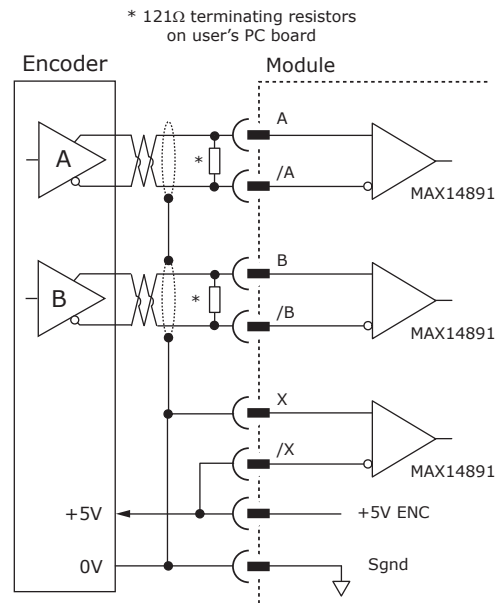
Extended common-mode range: A fault occurs if a single input voltage is outside of the range of -18.5V to +18.5V

If encoder fault detection is selected (CME main page, Configure Faults block, Feedback Error) and an encoder with no index is used, then the X and /X inputs must be wired as shown below to prevent the unused index input from generating an error for *low differential voltage detection*.

DIGITAL QUADRATURE ENCODER INPUT
5V



A/B CONNECTIONS (NO INDEX)
5V



PRIMARY FEEDBACK CONNECTIONS

The pins in the chart are on connector P4

Functions	Axis A	Axis B	Axis C
	Pins	Pins	Pins
Enc A	5	19	33
Enc /A	7	21	35
Enc B	9	23	37
Enc /B	11	25	39
Enc X	13	27	41
Enc /X	15	29	43
+5V Out	17	31	45
Signal Gnd	18	32	46

SECONDARY FEEDBACK CONNECTIONS

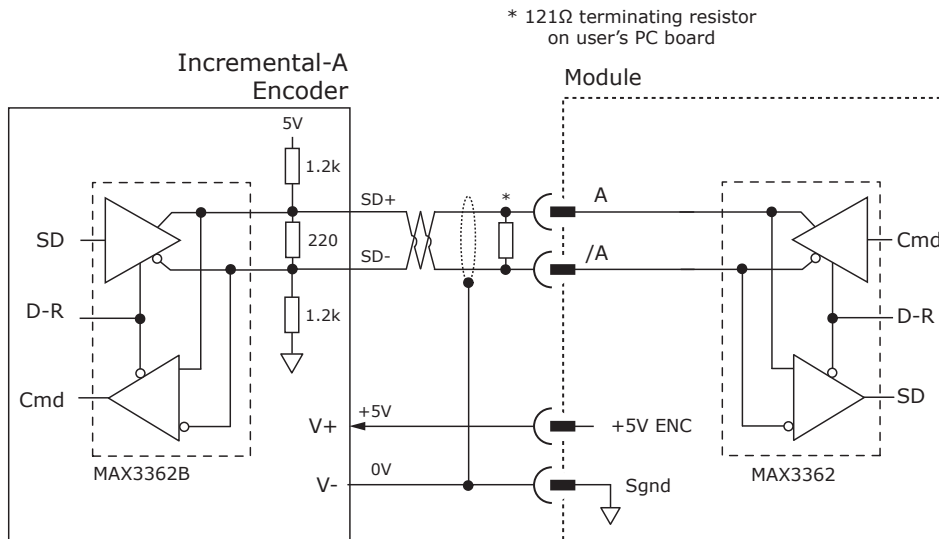
The pins in the chart are on connector P4

Functions	Axis A	Axis B	Axis C
	Pins	Pins	Pins
Sec Enc A	6	20	34
Sec Enc /A	8	22	36
Sec Enc B	10	24	38
Sec Enc /B	12	26	40
Sec Enc X	14	28	42
Sec Enc /X	16	30	44
+5 ENC	17	31	45
Signal Gnd	1~4,18,32,46,56		

FEEDBACK CONNECTIONS

PANASONIC INCREMENTAL A ENCODER

This is a "wire-saving" incremental encoder that sends serial data on a two-wire interface in the same fashion as an absolute encoder.



SSI ABSOLUTE ENCODER

The SSI (Synchronous Serial Interface) is an interface used to connect an absolute position encoder to a motion controller or control system. The Multinet drive provides a train of clock signals in differential format (Clk, /Clk) to the encoder which initiates the transmission of the position data on the subsequent clock pulses. The polling of the encoder data occurs at the current loop frequency (16 kHz). The number of encoder data bits and counts per motor revolution are programmable. Data from the encoder in differential format (Dat, /Dat) MSB first. Binary or Gray encoding is selectable. When the LSB goes high and a dwell time has elapsed, data is ready to be read again.

PRIMARY FEEDBACK CONNECTIONS

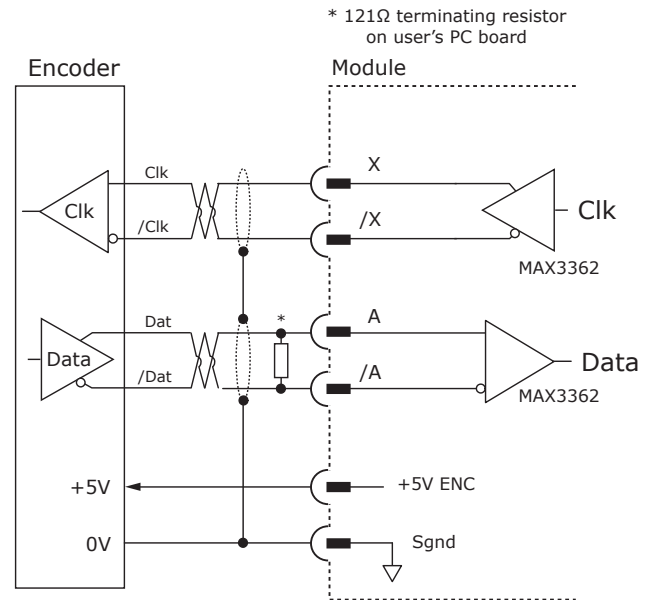
The pins in the chart are on connector P4

Encoder	Drive	Axis A	Axis B	Axis C
		Pins	Pins	Pins
Enc S	Enc A	5	19	33
Enc /S	Enc /A	7	21	35
Enc X	Enc X	13	27	41
Enc /X	Enc /X	15	29	43
+5V Out		17	31	45
Signal Gnd		1~4,18,32,46,56		

SECONDARY FEEDBACK CONNECTIONS

The pins in the chart are on connector P4

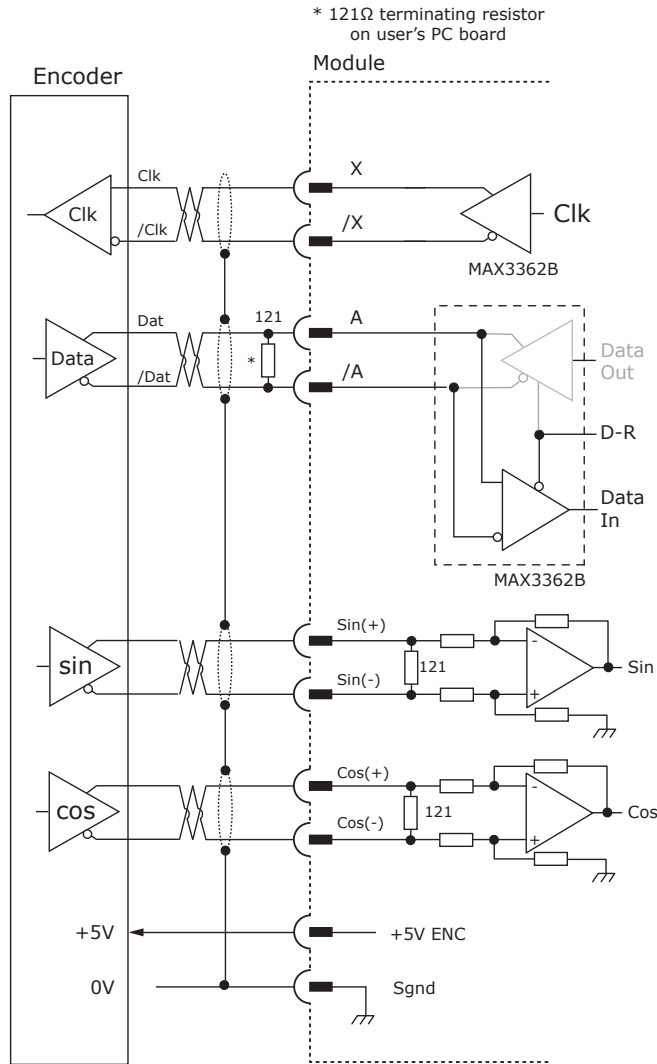
Functions	Drive	Axis A	Axis B	Axis C
		Pins	Pins	Pins
Sec Enc S	Sec Enc A	6	20	34
Sec Enc /S	Sec Enc /A	8	22	36
Sec Enc X	Sec Enc X	14	28	42
Sec Enc /X	Sec Enc /X	16	30	44
+5 ENC		17	31	45
Signal Gnd		1~4,18,32,46,56		



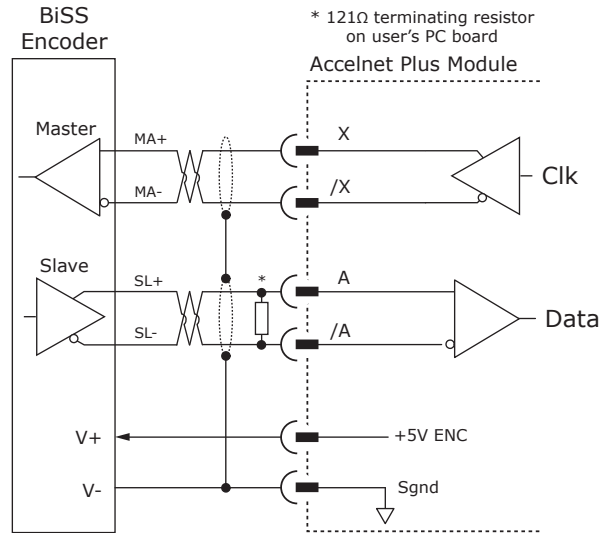
FEEDBACK CONNECTIONS

ENDAT ABSOLUTE ENCODER

The EnDat interface is a Heidenhain interface that is similar to SSI in the use of clock and data signals for synchronous digital, bidirectional data transfer. It also supports analog sin/cos channels from the same encoder. The number of position data bits is programmable. Use of sin/cos incremental signals is optional in the EnDat specification.



BISS (B & C) ABSOLUTE ENCODER



SIN/COS FEEDBACK CONNECTIONS

The Sin/Cos pins in this chart are on connector P3

Functions	Drive	Axis A	Axis B	Axis C
		Pins	Pins	Pins
Enc Sin(+)	Enc Sin(+)	9	13	17
Enc Sin(-)	Enc Sin(-)	10	14	18
Enc Cos(+)	Enc Cos(+)	11	15	19
Enc Cos(-)	Enc Cos(-)	12	16	20
+5 ENC (on P4)		17	31	45
Signal Gnd (on P4)		1~4,18,32,46,56		

PRIMARY FEEDBACK CONNECTIONS

The pins in the chart are on connector P4

Encoder	Drive	Axis A	Axis B	Axis C
		Pins	Pins	Pins
Enc S	Enc A	5	19	33
Enc /S	Enc /A	7	21	35
Enc X	Enc X	13	27	41
Enc /X	Enc /X	15	29	43
+5V Out		17	31	45
Signal Gnd		1~4,18,32,46,56		

SECONDARY FEEDBACK CONNECTIONS

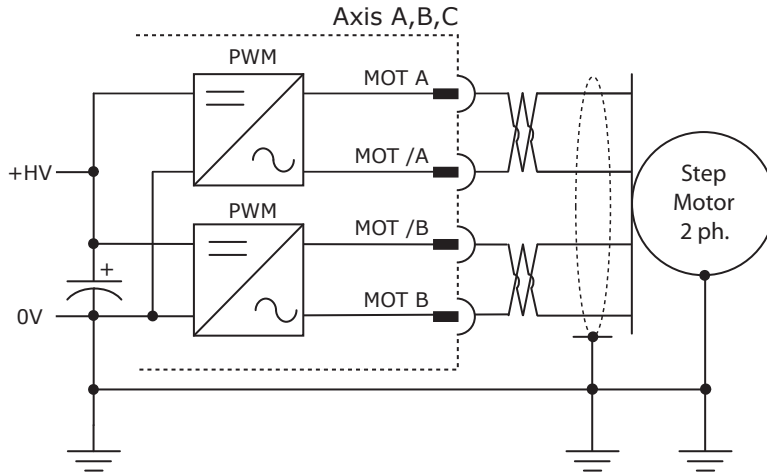
The pins in the chart are on connector P4

Functions	Drive	Axis A	Axis B	Axis C
		Pins	Pins	Pins
Sec Enc S	Sec Enc A	6	20	34
Sec Enc /S	Sec Enc /A	8	22	36
Sec Enc X	Sec Enc X	14	28	42
Sec Enc /X	Sec Enc /X	16	30	44
+5 ENC		17	31	45
Signal Gnd		1~4,18,32,46,56		

MOTOR CONNECTIONS

STEPPER MOTORS

The drive outputs are two H-bridge PWM inverters that convert the DC bus voltage (+HV) into sinusoidal voltage waveforms that drive the motor phase-coils. Cable should be sized for the continuous current rating of the drive. Motor cabling should use twisted, shielded conductors for CE compliance, and to minimize PWM noise coupling into other circuits. The motor cable shield should connect to motor frame and the drive HV ground terminal for best results.



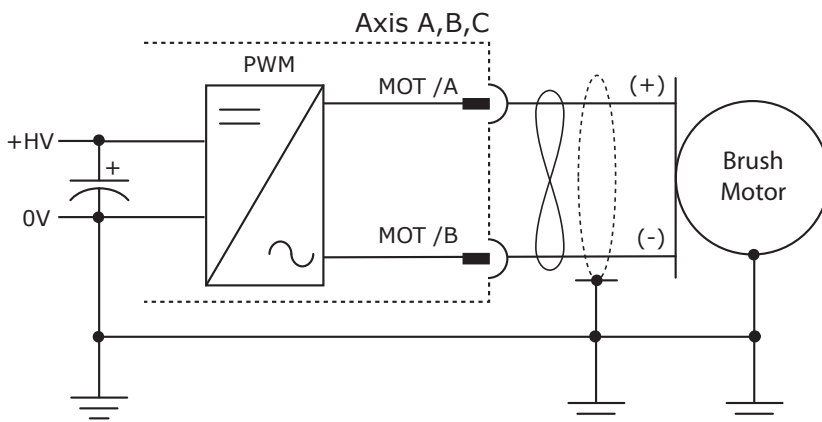
SIGNALS & PINS

The pins in the chart are on connector P1

Output	Motor	Axis A	Axis B	Axis C
		Pins	Pins	Pins
Mot A	A	21,22	37,38	53,54
Mot /A	/A	23,24	39,40	55,56
Mot B	B	29,30	45,46	61,62
Mot /B	/B	31,32	47,48	63,64
+HV		1,2,3,4,5,6		
HV COM		11,12,13,14,15,16		
+AuxHV		7		

BRUSH MOTORS

The drive outputs are an H-bridge PWM inverter that convert the DC bus voltage (+HV) into DC voltage waveforms that drive the motor (+) & (-) terminals. Cable should be sized for the continuous current rating of the drive. Motor cabling should use twisted, shielded conductors for CE compliance, and to minimize PWM noise coupling into other circuits. The motor cable shield should connect to motor frame and the drive HV ground terminal for best results.



SIGNALS & PINS

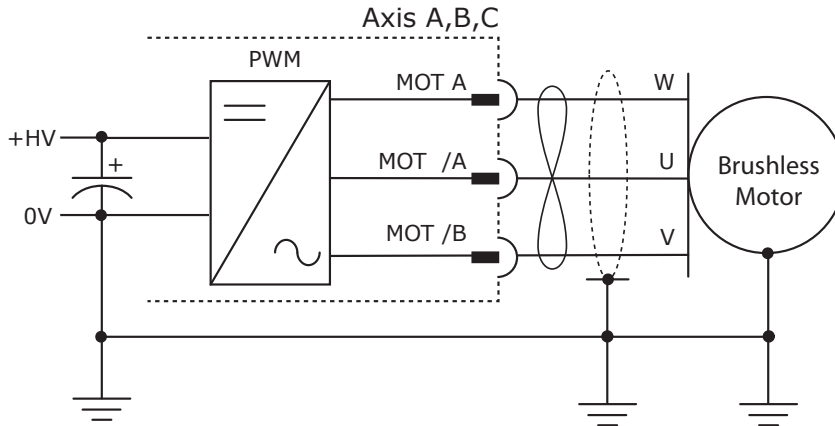
The pins in the chart are on connector P1

Output	Motor	Axis A	Axis B	Axis C
		Pins	Pins	Pins
Mot A		n/c		
Mot /A	(+)	23,24	39,40	55,56
Mot /B	(-)	31,32	47,48	63,64
+HV		1,2,3,4,5,6		
0V		11,12,13,14,15,16		
+AuxHV		7		

MOTOR CONNECTIONS

BRUSHLESS MOTORS

The drive outputs are a 3-phase PWM inverter that converts the DC bus voltage (+HV) into sinusoidal voltage waveforms that drive the motor U-V-W terminals. Cable should be sized for the continuous current rating of the drive. Motor cabling should use twisted, shielded conductors for CE compliance, and to minimize PWM noise coupling into other circuits. The motor cable shield should connect to motor frame and the drive HV ground terminal for best results.



SIGNALS & PINS

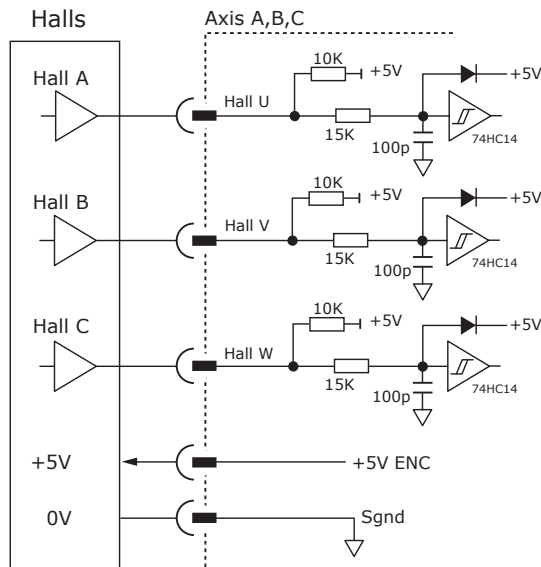
The pins in the chart are on connector P1

Output	Motor	Axis A	Axis B	Axis C
		Pins	Pins	Pins
Mot A	W	21,22	37,38	53,54
Mot /A	U	23,24	39,40	55,56
Mot B	No Connection			
Mot /B	V	31,32	47,48	63,64
+HV	1,2,3,4,5,6			
HV COM	11,12,13,14,15,16			
+AuxHV	7			

DIGITAL HALL SIGNALS

Hall signals are single-ended signals that provide absolute feedback within one electrical cycle of the motor. There are three of them (U, V, & W) and they may be sourced by magnetic sensors in the motor, or by encoders that have Hall tracks as part of the encoder disc. They typically operate at much lower frequencies than the motor encoder signals, and are used for commutation-initialization after startup, and for checking the motor phasing after the servo drive has switched to sinusoidal commutation.

HALL INPUTS
5V

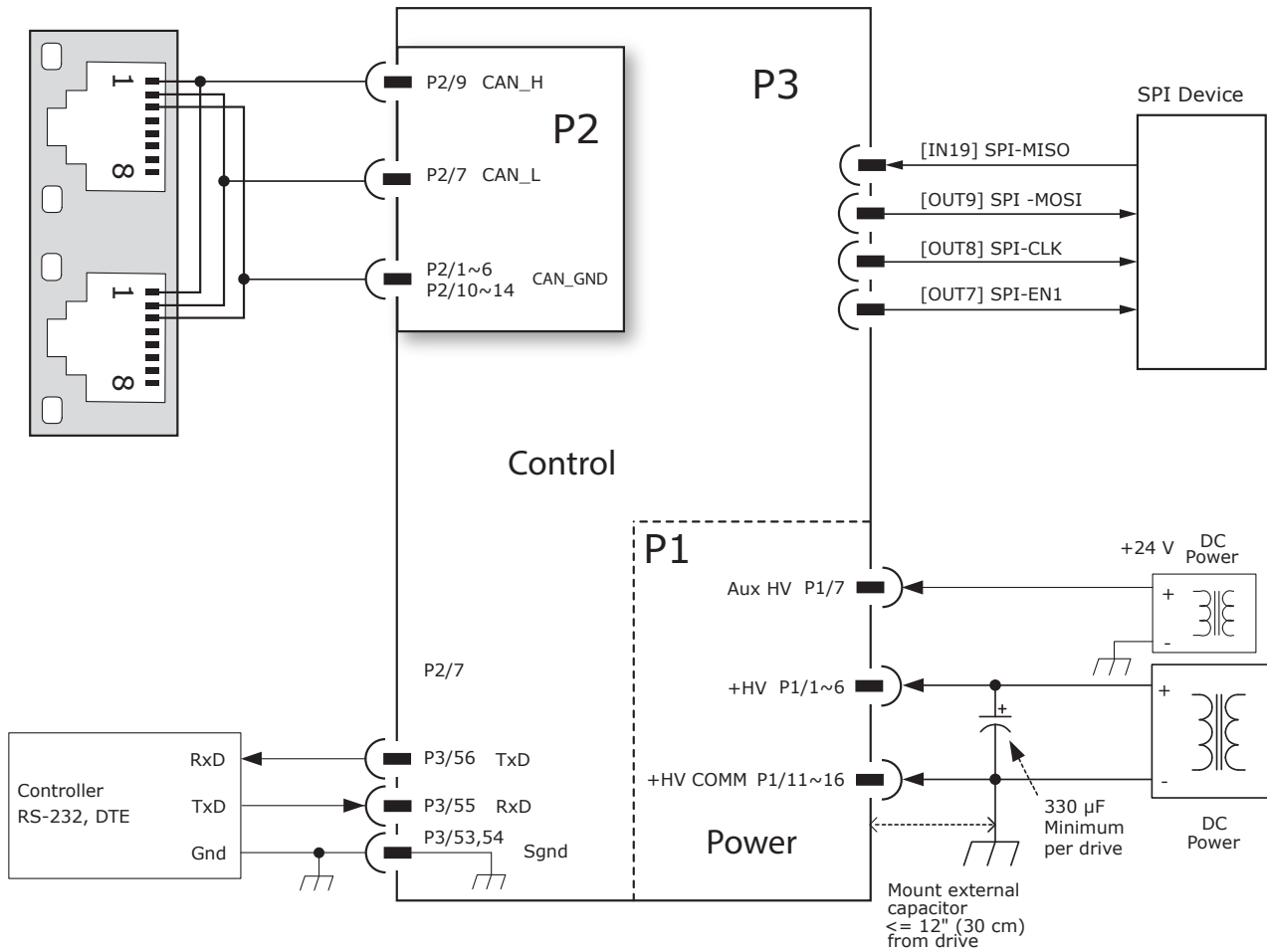


SIGNALS & PINS

The pins in the chart are on connector P4

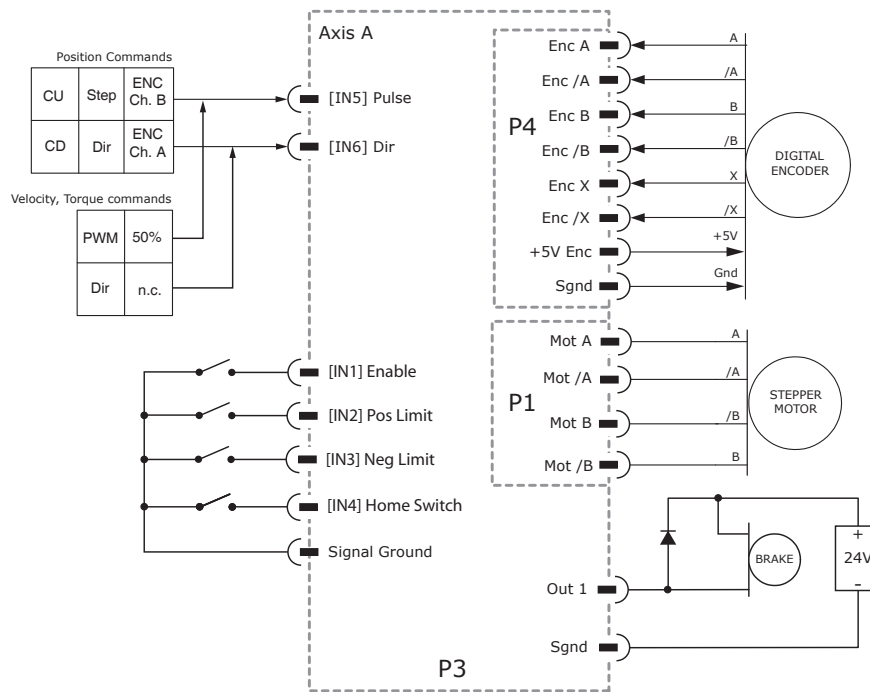
Functions	Axis A	Axis B	Axis C
	Pins	Pins	Pins
Hall U	47	50	53
Hall V	48	51	54
Hall W	49	52	55

COMMON CONNECTIONS FOR ALL AXES



TYPICAL CONNECTIONS

Here is an example using a stepper motor with encoder feedback, driving a linear stage with positive and negative limit switches, and a home switch. Position commands are shown as digital inputs. For CANopen operation, these would not be used.



Axis A is shown as an example. The tables below show the pins for the same-named signals for axes B, C, and D.

P3: INPUT SIGNALS & PINS

Functions					Axis A		Axis B		Axis C	
					Pins	Signal	Pins	Signal	Pins	Signal
Enable					23	[IN1]	29	[IN7]	35	[IN13]
Positive Limit Switch					24	[IN2]	30	[IN8]	36	[IN14]
Negative Limit Switch					24	[IN3]	31	[IN9]	37	[IN15]
Home Switch					26	[IN4]	32	[IN10]	38	[IN16]
Enc A	Pulse	CW	PWM	PWM 50%	27	[IN5]	33	[IN11]	39	[IN17]
Enc B	Dir	CCW	Polarity	n/a	28	[IN6]	34	[IN12]	40	[IN18]

Notes:

- 1) Inputs functions shown for [IN1], [IN7], [IN13] are the default functions. These inputs are programmable if not used for these functions.
- 2) The functions shown for [IN5~6], [IN11~12], [IN17~18] apply when they are used as digital command inputs for position control. These inputs are programmable if not used for these functions.
- 3) The functions shown for [IN2~4], [IN8~10], [IN14~16] are typical inputs. These inputs are programmable if not used for these functions.

P4: ENCODER SIGNALS & PINS

Functions	Axis A	Axis B	Axis C
	Pins	Pins	Pins
Enc A	5	19	33
Enc /A	7	21	35
Enc B	9	23	37
Enc /B	11	25	39
Enc X	13	27	41
Enc /X	15	29	43
+5 Vout	17	31	45
Sgnd	18	32	46

P3: MOSFET OUTPUTS & PINS

Output	P3 Pin
[OUT1]	43
[OUT2]	44
[OUT3]	45

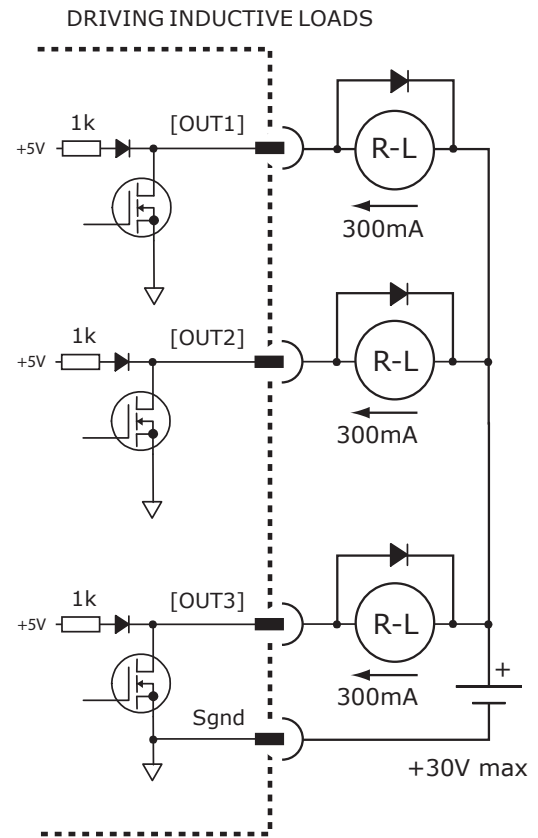
OUTPUTS

DIGITAL OUTPUTS 1~3

These are open-drain MOSFETs with 1 kΩ pull-up resistors in series with a diode to +5 Vdc. They can sink up to 300 mA dc from external loads operating from power supplies to +30 Vdc. The outputs are typically configured as drive fault and motor brake. Additional functions are programmable. As a drive fault output, the active level is programmable to be HI or LO when a fault occurs. As a brake output, it is programmable to be either HI or LO to release a motor brake when the drive is enabled. When driving inductive loads such as a relay, an external fly-back diode is required. A diode in the output is for driving PLC inputs that are opto-isolated and connected to +24 Vdc. The diode prevents conduction from +24 Vdc through the 1 kΩ resistor to +5 Vdc in the drive. This could turn the PLC input on, giving a false indication of the drive output state.

P3: MOSFET OUTPUTS & PINS

Output	P3 Pin
[OUT1]	43
[OUT2]	44
[OUT3]	45

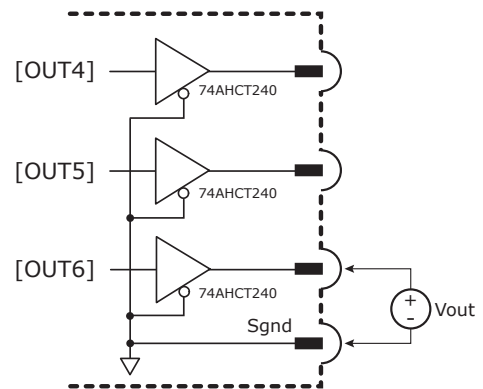


HIGH SPEED OUTPUTS

Digital outputs [OUT4~6] are HI-speed CMOS drivers.

P3: SLI PORT OUTPUTS & PINS

Output	P3 Pin
[OUT4]	46
[OUT5]	47
[OUT6]	48

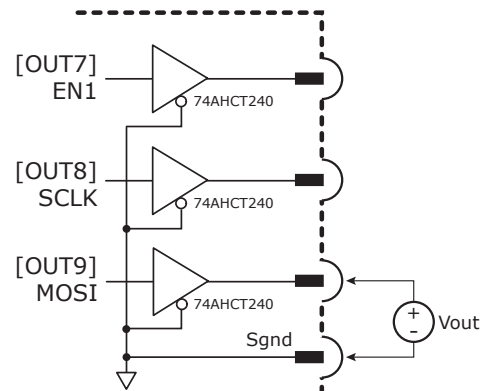


SLI PORT OUTPUTS

Digital outputs [OUT7~9] are CMOS drivers used for the SLI port. Programmable for other functions if not used for SLI port.

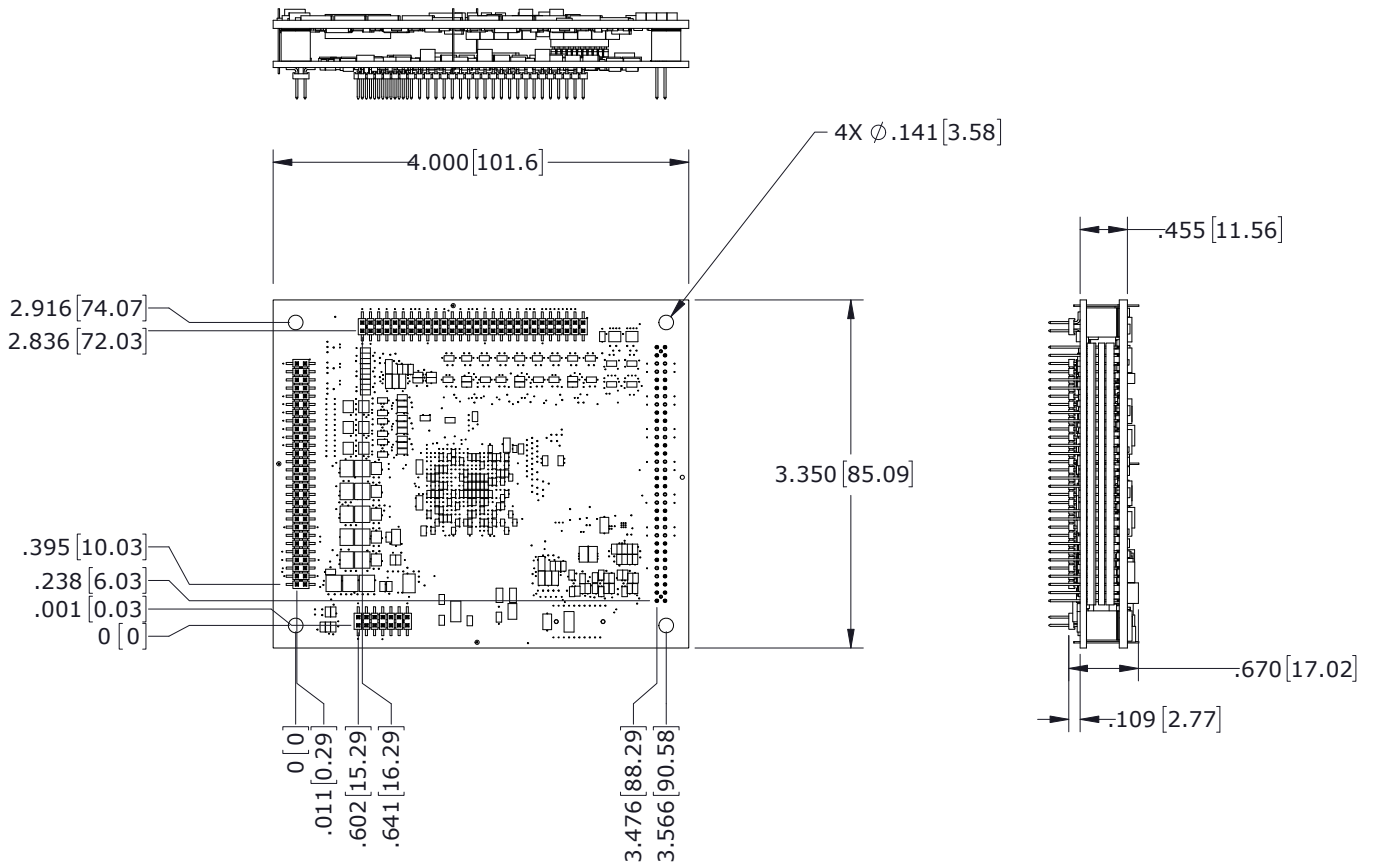
P3: SLI PORT OUTPUTS & PINS

Output	P3 Pin
[OUT7]	49
[OUT8]	50
[OUT9]	51



MODULE DIMENSIONS

Units in inch (mm)

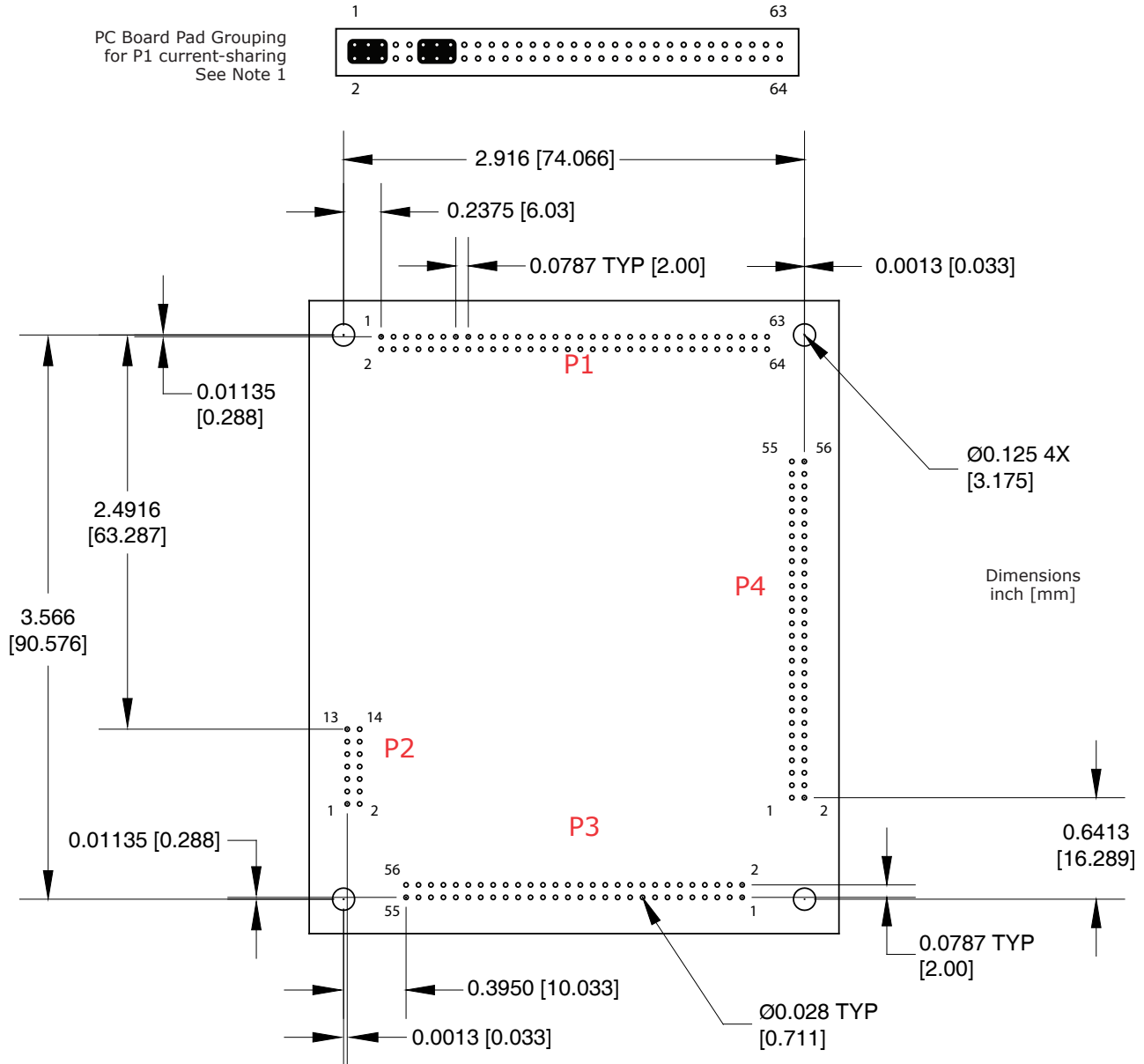


PRINTED CIRCUIT BOARD FOOTPRINT

TOP VIEW

Dimensions are inch (mm)

Viewed from above looking down on the connectors or PC board footprint to which the module is mounted



Mounting Hardware:

Qty	Description	Mfgr	Part Number	Remarks
1	Socket Strip	Samtec	SQW-132-01-L-D	P1: HV, Aux, & Motor
1	Socket Strip	Samtec	SQW-107-01-L-D	P2: CANopen port
1	Socket Strip	Samtec	SQW-128-01-L-D	P3: Input/Output
1	Socket Strip	Samtec	SQW-128-01-L-D	P4: Feedback
2	Standoff 6-32 X 1/4"	PEM	KFE-632-8ET	

Notes

1. P1 signals of the same name must be connected for current-sharing (see graphic above).
2. To determine copper width and thickness for P1 signals refer to specification IPC-2221. (Association Connecting Electronic Industries, <http://www.ipc.org>)

MOUNTING PC BOARD CONNECTORS & SIGNALS

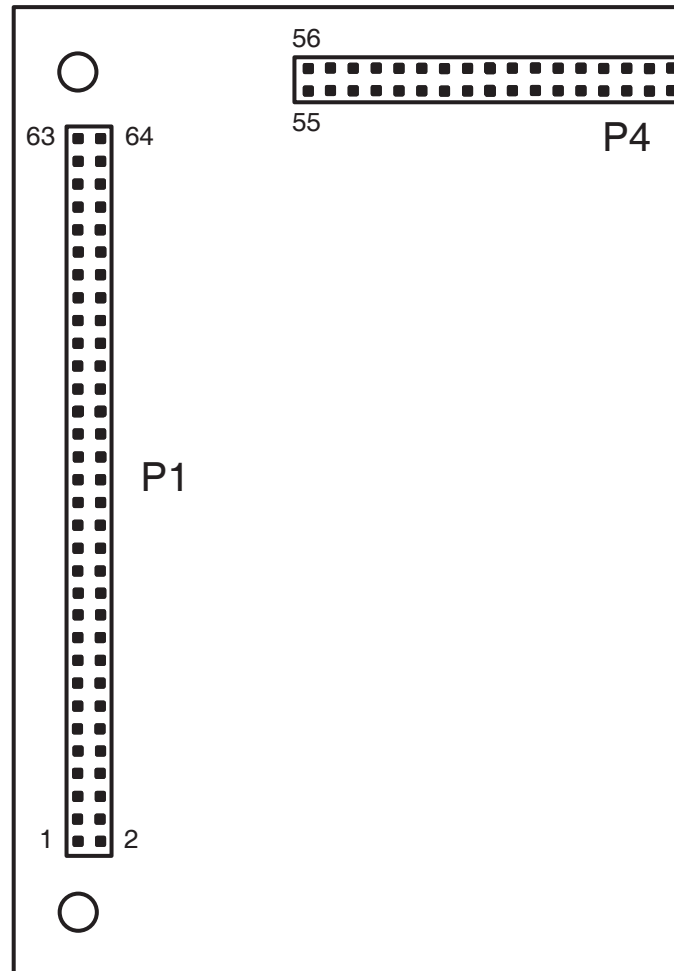
P1 POWER

Mounting board connector:
Samtec SQW-132-01-L-D

Axis	Signal	Pin	Signal	Axis
Axis-C	Mot /B	63	64	Mot /B
	Mot B	61	62	Mot B
No connections		59	60	No connections
		57	58	
Axis-C	Mot /A	55	56	Mot /A
	Mot A	53	54	Mot A
No connections		51	52	No connections
		49	50	
Axis-B	Mot /B	47	48	Mot /B
	Mot B	45	46	Mot B
No connections		43	44	No connections
		41	42	
Axis-B	Mot /A	39	40	Mot /A
	Mot A	37	38	Mot A
No connections		35	36	No connections
		33	34	
Axis-A	Mot /B	31	32	Mot /B
	Mot B	29	30	Mot B
No connections		27	28	No connections
		25	26	
Axis-A	Mot /A	23	24	Mot /A
	Mot A	21	22	Mot A
No connections		19	20	No connections
		17	18	
HV COM		15	16	HV COM
		13	14	
		11	12	
N.C.		9	10	N.C.
HVaux		7	8	N.C.
+HV		5	6	+HV
		3	4	
		1	2	

TOP VIEW

Viewed from above looking down on the connectors or PC board footprint to which the module is mounted



CONNECTOR NAMING (P1, P2, ETC) APPLIES TO THE MP3 MODULE AND NOT TO PC BOARD MOUNTED SOCKETS

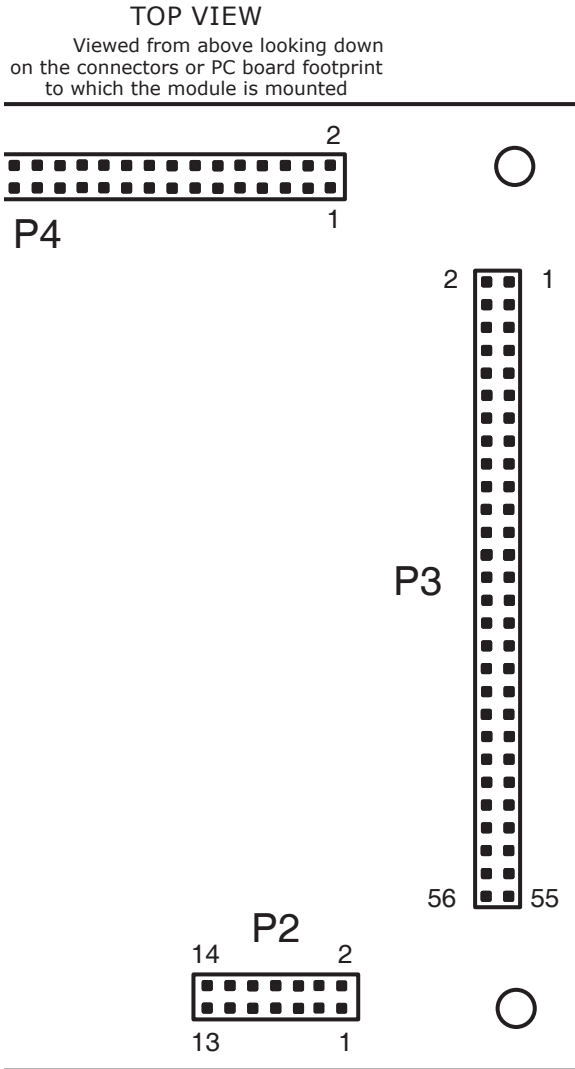
MOUNTING PC BOARD CONNECTORS & SIGNALS

P3 INPUT/OUTPUT

Mounting board connector:
Samtec SQW-128-01-L-D

Signal	Pin		Signal
Signal Gnd	2	1	Signal Gnd
Axis-A Ref(-)	4	3	Axis-A Ref(+)
Axis-B Ref(-)	6	5	Axis-B Ref(+)
Axis-C Ref(-)	8	7	Axis-C Ref(+)
Axis-A Sin(-)	10	9	Axis-A Sin(+)
Axis-A Cos(-)	12	11	Axis-A Cos(+)
Axis-B Sin(-)	14	13	Axis-B Sin(+)
Axis-B Cos(-)	16	15	Axis-B Cos(+)
Axis-C Sin(-)	18	17	Axis-C Sin(+)
Axis-C Cos(-)	20	19	Axis-C Cos(+)
Signal Gnd	22	21	Signal Gnd
HS [IN2]	24	23	[IN1] HS Axis-A Enable
HS [IN4]	26	25	[IN3] HS
Axis-A Dir HS [IN6]	28	27	[IN5] HS Axis-A Pulse
HS [IN8]	30	29	[IN7] HS Axis-B Enable
HS [IN10]	32	31	[IN9] HS
Axis-B Dir HS [IN12]	34	33	[IN11] HS Axis-B Pulse
HS [IN14]	36	35	[IN13] HS Axis-C Enable
HS [IN16]	38	37	[IN15] HS
Axis-C Dir HS [IN18]	40	39	[IN17] HS Axis-C Pulse
Signal Gnd	42	41	Signal Gnd
MOSFET [OUT2]	44	43	[OUT1] MOSFET
HS [OUT4]	46	45	[OUT3] MOSFET
HS [OUT6]	48	47	[OUT5] HS
SLI-CLK HS [OUT8]	50	49	[OUT7] HS SLI-EN1
SLI-MISO [IN19]	52	51	[OUT9] HS SLI-MOSI
Signal Gnd	54	53	Signal Gnd
RS-232 TxD	56	55	RS-232 RxD

Signal names in this chart are default settings for brushless motors with Halls, position mode, and command source from digital inputs. Digital inputs [IN1~IN19] are programmable for other functions. Outputs [OUT1~OUT9] are programmable for other functions.

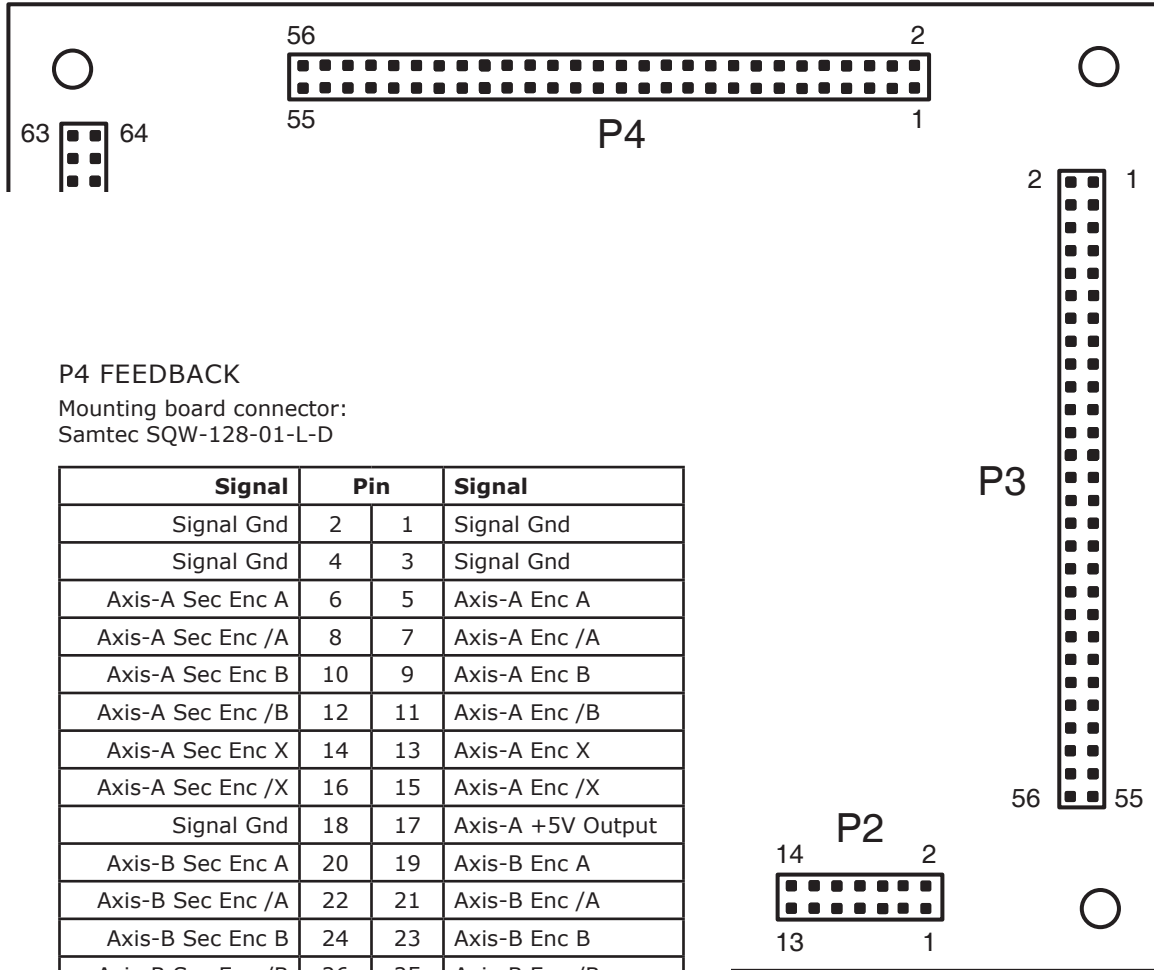


CONNECTOR NAMING (P1, P2, ETC) APPLIES TO THE MP3 MODULE AND NOT TO PC BOARD MOUNTED SOCKETS

Mounting board connector:
Samtec SQW-107-01-L-D

P2 CAN PORT

Signal	Pin		Signal
CAN_GND	2	1	CAN_GND
CAN_GND	4	3	CAN_GND
CAN_GND	6	5	CAN_GND
CAN_GND	8	7	CAN_L
CAN_GND	10	9	CAN_H
CAN_GND	12	11	CAN_GND
CAN_GND	14	13	CAN_GND



P4 FEEDBACK

Mounting board connector:
Samtec SQW-128-01-L-D

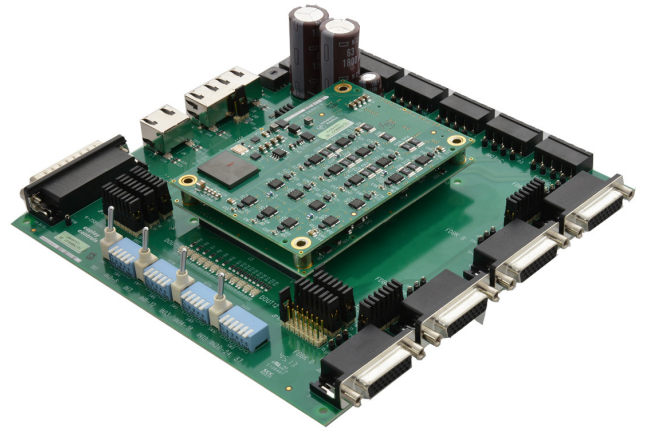
Signal	Pin	Signal
Signal Gnd	2	1
Signal Gnd	4	3
Axis-A Sec Enc A	6	5
Axis-A Sec Enc /A	8	7
Axis-A Sec Enc B	10	9
Axis-A Sec Enc /B	12	11
Axis-A Sec Enc X	14	13
Axis-A Sec Enc /X	16	15
Signal Gnd	18	17
Axis-B Sec Enc A	20	19
Axis-B Sec Enc /A	22	21
Axis-B Sec Enc B	24	23
Axis-B Sec Enc /B	26	25
Axis-B Sec Enc X	28	27
Axis-B Sec Enc /X	30	29
Signal Gnd	32	31
Axis-C Sec Enc A	34	33
Axis-C Sec Enc /A	36	35
Axis-C Sec Enc B	38	37
Axis-C Sec Enc /B	40	39
Axis-C Sec Enc X	42	41
Axis-C Sec Enc /X	44	43
Signal Gnd	46	45
Axis-A Hall-V	48	47
Axis-B Hall-U	50	49
Axis-B Hall-W	52	51
Axis-C Hall-V	54	53
Signal Gnd	56	55

DEVELOPMENT KIT

DESCRIPTION

The Development Kit provides mounting and connectivity for one MP3 drive. Solderless jumpers ease configuration of inputs and outputs to support their programmable functions. Switches can be jumpered to connect to digital inputs 1~19 so that these can be toggled to simulate equipment operation. LED's provide status indication for the digital outputs, encoder A/B/X/S signals, and Hall signals. Test points are provided for these signals, too, making it easy to monitor these with an oscilloscope.

Dual CANopen connectors make daisy-chain connections possible so that other CANopen devices such as Copley's Accelnet Plus or Xenus Plus CANopen drives can easily be connected. Rotary switches are provided to set the CANopen slave Node-ID (address).



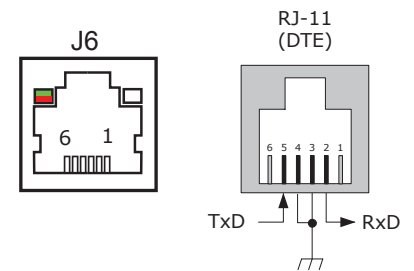
RS-232 CONNECTION

The RS-232 port is used to configure the drive for stand-alone applications, or for configuration before it is installed into an CANopen network. CME™ software communicates with the drive over this link and is then used for complete drive setup. The CANopen Node-ID that is set by the rotary switch can be monitored, and a Node-ID offset programmed as well.

The RS-232 connector, J6, is a modular RJ-11 type that uses a 6-position plug, four wires of which are used for RS-232. A connector kit is available (SER-CK) that includes the modular cable, and an adaptor to interface this cable with a 9-pin RS-232 port on a computer.

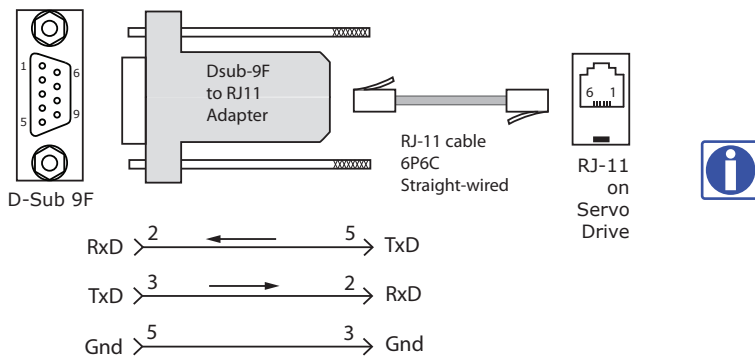
The LED on J6 is for the CANopen network status of Axis C and is not associated with the RS-232 port function.

J6 SIGNALS



SER-CK SERIAL CABLE KIT

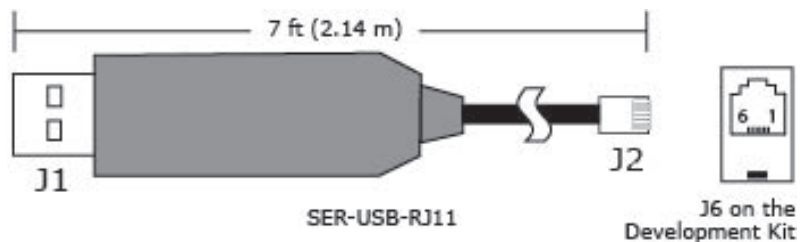
The SER-CK provides connectivity between a D-Sub 9 male connector and the RJ-11 connector J8 on the Development Kit. It includes an adapter that plugs into the COM1 (or other) port of a PC and uses common modular cable to connect to the DevKit. The connections are shown in the diagram below.



Don't forget to order a Serial Cable Kit SER-CK when placing your order for an MP3 Development Kit!

SER-USB-RJ11

J1 provides connectivity between a 4-pin USB connector and J2 connects to the 6-pin RJ-11 connector J6 on the Development Kit.



DEVELOPMENT KIT INDICATORS (LEDS)

The AMP status LEDs DS10~12 at switches SW1, 7, and 13 show the operational state of each axis of the MP3. The STATUS LEDs on J5~J6 show the state of the CANopen NMT (Network Management) state-machines of each axis in the drive. Details on the NMT state-machine can be found in the CANopen Programmers Manual, §3.1: <http://www.copleycontrols.com/Motion/pdf/CANopenProgrammersManual.pdf>

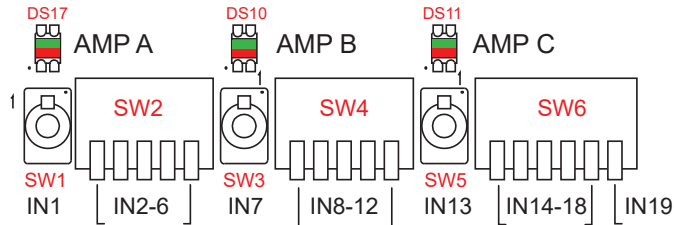
AMP LEDS

Three bi-color LEDs show the states of each axis of the MP3 by changing color, and either blinking or remaining solid. The possible color and blink combinations are:

- *Green/Solid*: Drive OK and enabled. Will run in response to reference inputs or CANopen commands.
- *Green/Slow-Blinking*: Drive OK but NOT-enabled. Will change to *Green/Solid* when enabled.
- *Green/Fast-Blinking*: Positive or Negative limit switch active. Drive will only move in direction not inhibited by limit switch.
- *Red/Solid*: Transient fault condition. Drive will resume operation when fault is removed.
- *Red/Blinking*: Latching fault. Operation will not resume until drive is Reset.

Drive Fault conditions. Faults are programmable to be either transient or latching:

- Over or under-voltage
- Motor over-temperature
- Encoder +5 Vdc fault
- Short-circuits from output to ground
- Drive over-temperature
- Internal short circuits
- Short-circuits from output to output



STATUS LEDS

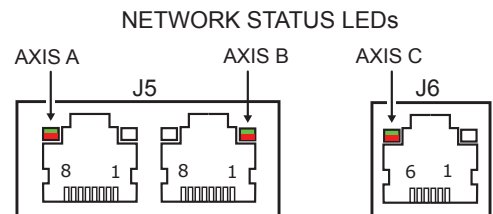
Three bi-color LEDs on J9 & J4 give the state of the NMT state-machine of each axis by changing color, and either blinking or remaining solid. The possible color and blink combinations are:

RUN (GREEN)

- *Off* *Init*
- *Blinking* *Pre-operational*
- *Single-flash* *Stopped*
- *On* *Operational*

ERROR (RED)

- *Off* *No error*
- *Blinking* *Invalid configuration, general configuration error*
- *Single Flash* *Warning limit reached*
- *Double Flash* *Error Control Event (guard or heartbeat event) has occurred*
- *Triple Flash* *Sync message not received within the configured period*
- *On* *Bus Off, the CAN master is bus off*



Note: Red & green led on-times do not overlap. LED color may be red, green, off, or flashing of either color.

DEVELOPMENT KIT CANOPEN NODE ID (ADDRESS)

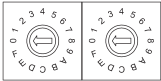
On a CANopen network, each device must have unique, non-zero Node-ID. In the MP3 DevKit, this is provided by two 16-position rotary switches with hexadecimal encoding. These can set the Node-ID of the drive's Axis A from 0x01~0xFF (1~255 decimal). The chart shows the decimal values of the hex settings of each switch.

Example 1: Find the switch settings for decimal Node-ID 107 (0x6B):

- 1) Find the highest number under SW21 that is less than 107 and set SW21 to the hex value in the same row: 96 < 107 and 112 > 107, so SW21 = 96 = Hex 6
- 2) Subtract 96 from the desired Node-ID to get the decimal value of switch SW22 and set SW22 to the Hex value in the same row: SW22 = (107 - 96) = 11 = Hex B
- 3) This example will produce the following CAN addresses for the MP3:
Axis A = 107 (0x6B), Axis B = 108 (0x6C), Axis C = 109 (0x6D)

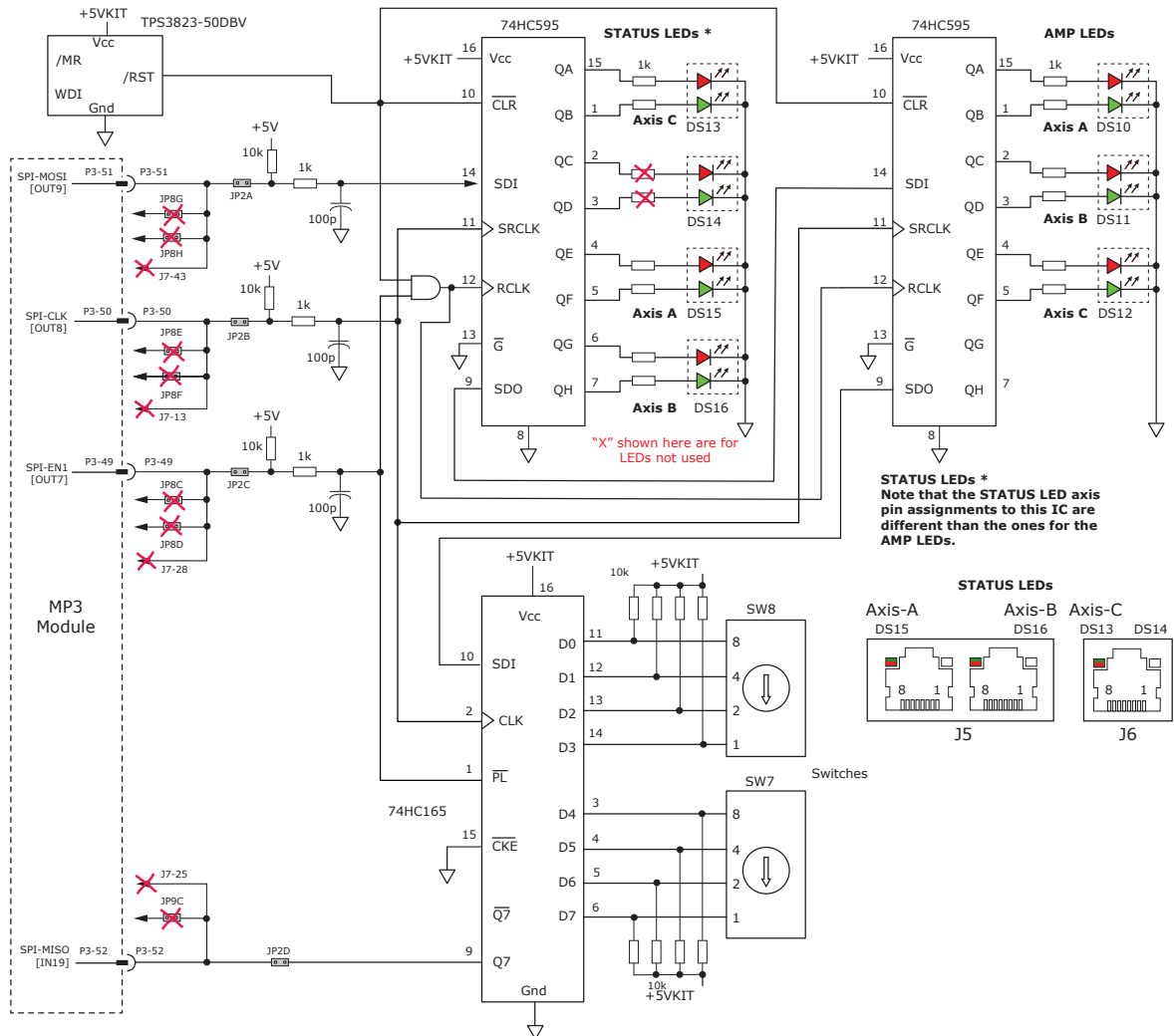
CME -> Amplifier -> Network Configuration

SW7 SW8



CANopen Node-ID Switch Decimal values

HEX	SW2	SW3
0	0	0
1	16	1
2	32	2
3	48	3
4	64	4
5	80	5
6	96	6
7	112	7
8	128	8
9	144	9
A	160	10
B	176	11
C	192	12
D	208	13
E	224	14
F	240	15



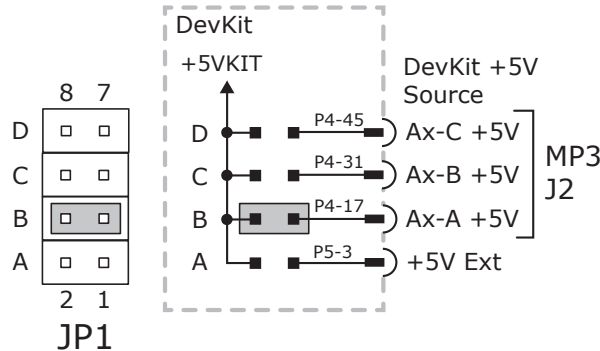
CANopen NODE-ID (ADDRESS) SWITCH CONNECTIONS

This graphic shows the connections to the CANopen Node-ID switches and to the status LEDs for the MP3 and CANopen. The switches are read once after the drive is reset, or powered-on. When changing the settings of the switches, be sure to either reset the drive, or to power it off-on. Outputs [OUT7,8,9] and input [IN19] operate as an SLI (Switch & LED Interface) port which reads the settings on the CANopen Node-ID switches, and controls the LEDs on the serial and CANopen port connectors. The jumpers marked with red "X" should be removed so that SW18, or external connections to the signals do not interfere with the operation of the SLI port.

DEVELOPMENT KIT+5V POWER

The encoder +5VENC power on the feedback connectors J5~J7 is connected directly to the Ax-A, Ax-B, and Ax-C power outputs from the MP3.

The SLI port components on the DevKit that drive the LEDs and read the Node-ID (address) switches connects to the signal +5VKIT. And the +5VKIT connects to a jumper on JP1 that selects a source of the +5V power. This can be powered from either the Ax-A, Ax-B, and Ax-C +5V power from the MP3, or from an external +5V power supply that connects to P5-3. The default "A" position (on JP1 pins 1~2) selects the external +5V power source for +5VKIT. Moving the jumper to the B, C, or D positions (pins 3~4, 5~6, 7~8) selects the axis +5V from the MP3 as the power source for the +5VKIT. **As noted below, only one jumper should be used to select the source of power for +5VKIT.**



IMPORTANT: ONLY ONE SHORTING PLUG CAN BE USED ON JP1

USE OF MORE THAN ONE PLUG WILL DAMAGE 5V POWER SUPPLIES IN THE MP3

**THE POSITION OF THE JUMPER AT JP1-B IS THE DEFAULT
THIS WILL POWER THE ON-BOARD CIRCUITS FROM AN ENCODER +5V OUTPUT**

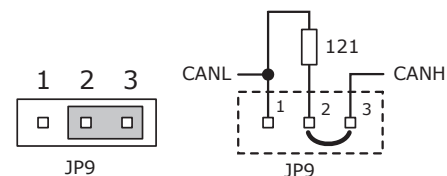
DEVELOPMENT KIT CAN INPUT TERMINATOR

Jumper JP9 is for a 121 Ω terminator resistor for the CAN buss signals on J5. When connecting pins 1 & 2, the terminator is not active and the CAN inputs are open-circuit.

When connecting pins 2 & 3, the terminator is active and provides the 121 Ω impedance that is recommended for terminating CAN bus cables.

If the MP3 DevKit is on a CAN bus with other devices, then JP9 would only be used to activate the terminator if it is the last device on the physical end of the network. Otherwise the terminator should not be activated.

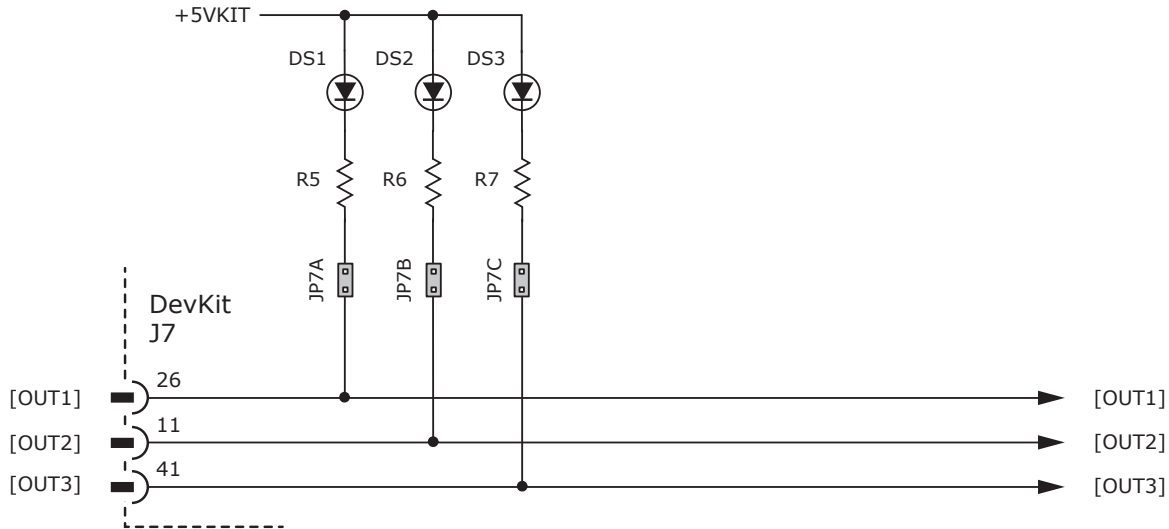
If the MP3 DevKit is used alone, then the terminator should be activated.



DEVELOPMENT KIT OUTPUTS

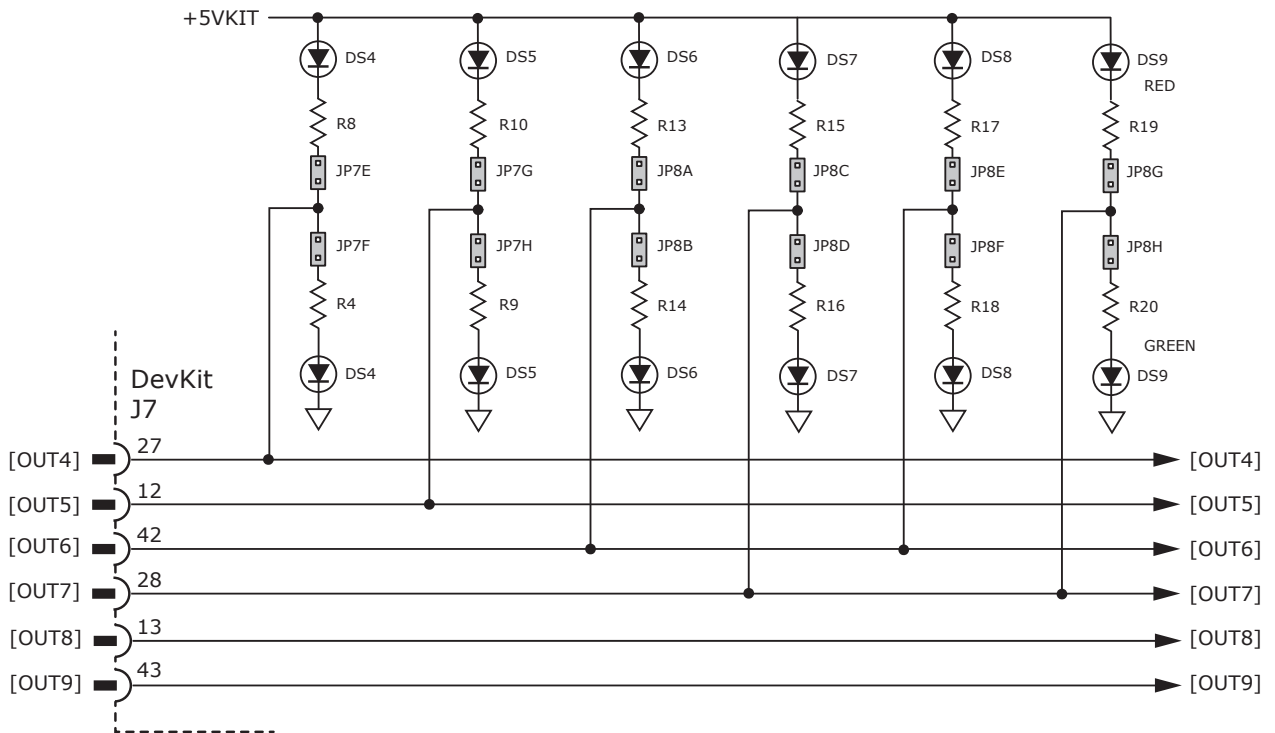
MOSFET OUTPUTS

There are three MOSFET outputs that can drive controller logic inputs or relays. If relays are driven, then flyback diodes must be connected across their terminals to clamp overvoltages that occur when the inductance of the relay coil is suddenly turned off. LED indicators connected to the outputs will be ON when the output is MOSFET is ON and the output voltage will be near 0V. Outputs 1,2, & 3 are MOSFET types that sink current when ON, and appear as open-circuit when OFF. When these outputs are ON a red LED is turned on. When the outputs are OFF, the red LED is off. The green LED is not used on these outputs.



LOGIC OUTPUTS

Outputs 4~9 are CMOS types that pull up to 5V or down to ground. When these outputs go high it turns on the green LED. When they are low, the red LED is turned on.



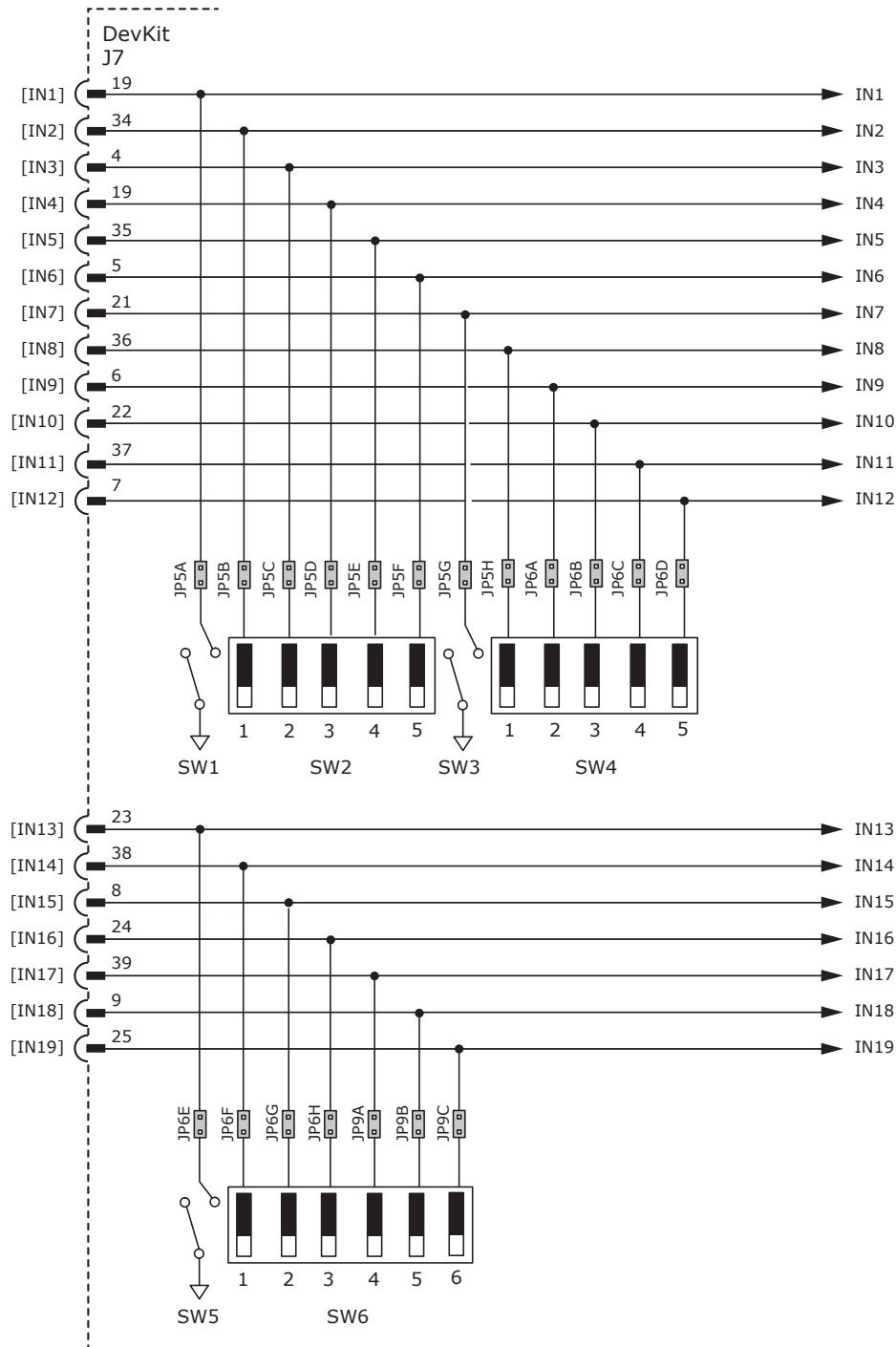
DEVELOPMENT KIT LOGIC INPUTS & SWITCHES

LOGIC INPUTS & SWITCHES

The Development Kit has jumpers that can connect the MP3 digital inputs to switches on the kit, or to the Control connector J7.

As delivered, all of these jumpers are installed as shown. If connecting to external devices that actively control the level of an input, it is desirable to disconnect the switch which could short the input to ground.

For example, if [IN1] is connected to an external device for the Enable function, then jumper JP5A should be removed to take the switch SW1 out of the circuit. The figure below shows these connections.



DEVELOPMENT KIT CONNECTORS

The Development Kit mounts a single MP3 module and enables the user to test and operate the MP3 before it is mounted onto a PC board in the target system.

J11 J10 J9
 AXIS A AXIS B AXIS C FEEDBACK

PIN	SIGNAL	PIN	SIGNAL	PIN	SIGNAL
26	Signal Gnd	18	Sin(-)	9	Enc X
25	Signal Gnd	17	+5VENC	8	Enc /X
24	N.C.	16	Signal Gnd	7	Motemp *
23	N.C.	15	Enc S (A) **	6	+5VENC
22	N.C.	14	Enc /S (/A) **	5	Signal Gnd
21	Cos(+)	13	Enc A	4	Hall W
20	Cos(-)	12	Enc /A	3	Hall V
19	Sin(+)	11	Enc B	2	Hall U
		10	Enc /B	1	Frame Gnd

** Motors with absolute encoders using the S & /S channels already wired to pins 14 & 15 of the feedback connectors will be connected internally to the A & /A signals which have the same function for encoder data.

This shows the Motemp signals on the axis feedback connectors J9~J11, and the MP3 pins they connect to.

Function	Axis A	Axis B	Axis C	Conn
Motemp	28	34	40	P3
Jumper	JP4-A	JP4-B	JP4-C	

J1: AXIS C MOTOR
 J2: AXIS B MOTOR
 J3: AXIS A MOTOR

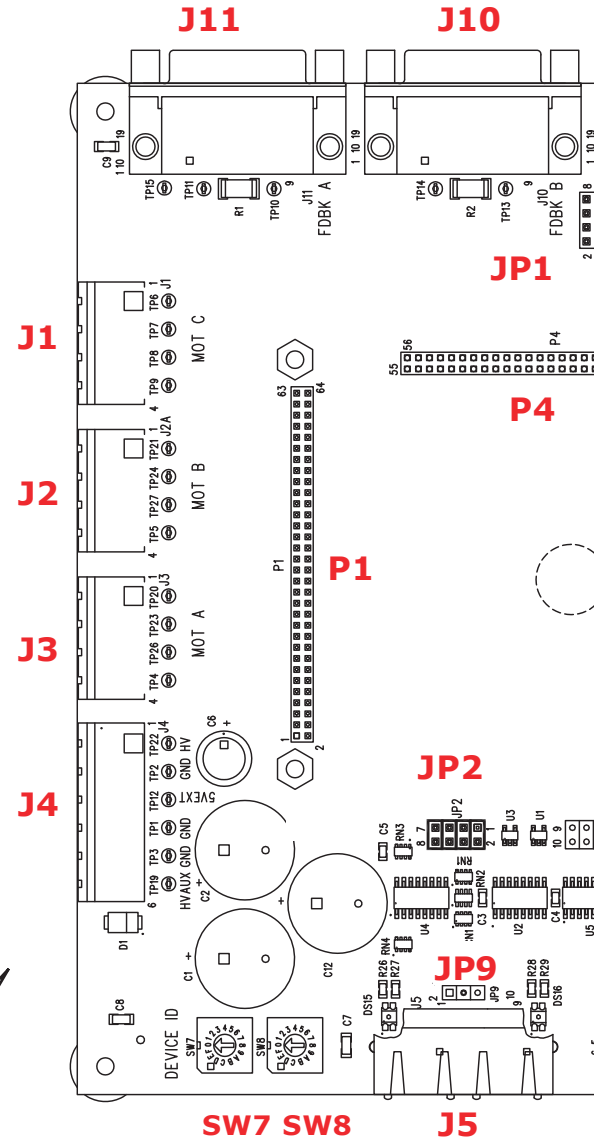
Connector, Euro, 4 Terminal, 5.08 mm

Signal	Pin
Motor A	1
Motor /A	2
Motor B	3
Motor /B	4

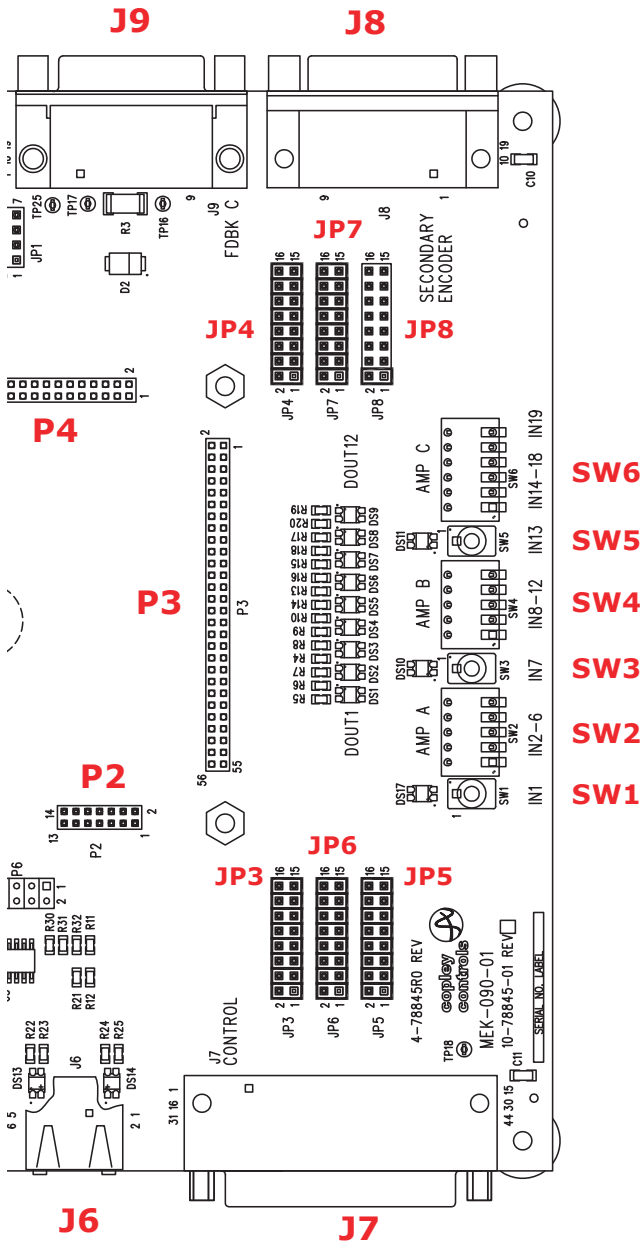
J4: HV, AUX, GND

Connector, Euro, 5 Terminal, 5.08 mm

Signal	Pin
+HV	1
HV Gnd	2
+5V Ext	3
Sgnd	4
HV Gnd	5
HV Aux	6



DEVELOPMENT KIT CONNECTORS



SW 1,3,5: ENABLE INPUTS

Axis ->	Axis A	Axis B	Axis C
Enable	SW1	SW3	SW5
Input	[IN1]	[IN7]	[IN13]
Jumper	JP5-A	JP5-G	JP6-E

DIP SWITCH INPUT CONNECTIONS

SW# / Axis ->	SW2 / A		SW4 / B		SW6 / C	
1	[IN2]	JP5-B	[IN8]	JP5-H	[IN14]	JP6-F
2	[IN3]	JP5-C	[IN9]	JP6-A	[IN15]	JP6-G
3	[IN4]	JP5-D	[IN10]	JP6-B	[IN16]	JP6-H
4	[IN5]	JP5-E	[IN11]	JP6-C	[IN17]	JP3-A
5	[IN6]	JP5-F	[IN12]	JP6-D	[IN18]	JP3-B
6	SW6 is not on these DIP switches				[IN19]	JP3-C

J8 SECONDARY FEEDBACK

PIN	SIGNAL	PIN	SIGNAL	PIN	SIGNAL
26	Ax-C Enc B	18	Ax-C /B	9	Ax-C Enc X
25	Ax-C Enc A	17	Ax-C /A	8	Ax-C Enc /X
24	Signal Gnd	16	Ax-C +5V	7	Signal Gnd
23	Ax-B Enc B	15	Ax-B Enc /B	6	Ax-B Enc /X
22	Ax-B Enc A	14	Ax-B Enc /A	5	Ax-B Enc X
21	Signal Gnd	13	Ax-B +5V	4	Signal Gnd
20	Ax-A Enc B	12	Ax-A Enc /B	3	Ax-A Enc /X
19	Ax-A Enc A	11	Ax-A Enc /A	2	Ax-A Enc X
		10	Ax-A +5V	1	Frame Gnd

J7: CONTROL

PIN	SIGNAL	PIN	SIGNAL	PIN	SIGNAL
15	Signal Gnd	30	Ax-A +5V	44	Ax-B +5V
14	N.C.	29	Ax-C +5V	43	[OUT9]
13	[OUT8]	28	[OUT7]	42	[OUT6]
12	[OUT5]	27	[OUT4]	41	[OUT3]
11	[OUT2]	26	[OUT1]	40	Signal Gnd
10	Signal Gnd	25	[IN19]	39	[IN17]
9	[IN18]	24	[IN16]	38	[IN14]
8	[IN15]	23	[IN13]	37	[IN11]
7	[IN12]	22	[IN10]	36	[IN8]
6	[IN9]	21	[IN7]	35	[IN5]
5	[IN6]	20	[IN4]	34	[IN2]
4	[IN3]	19	[IN1]	33	Signal Gnd
3	Ax-C Ref(-)	18	Ax-B Ref(-)	32	Ax-A Ref(-)
2	Ax-C Ref(+)	17	Ax-B Ref(+)	31	Ax-A Ref(+)
1	Frame Gnd	16	Signal Gnd		

THIS PAGE
LEFT BLANK
INTENTIONALLY

ORDERING INFORMATION

MASTER ORDERING GUIDE

MP3-090-10	MP3 Servo-Stepper drive, 5/10A, 14~90 Vdc
MPK-090-03	Development Kit for MP3 Servo-Stepper drive



	Qty	Ref	Name	Description	Manufacturer P/N	
Connector Kit for Development Kit MPK-CK-03	1	J4	+HV & Aux	Connector, Euro, 6 Terminal, 5.08 mm	TE Buchanan: 796635-6	
	3	J1~J3	Motor	Connector, Euro, 4 Terminal, 5.08 mm	TE Buchanan: 796635-4	
	1	J7	Control	44 Pin Connector, High Density, D-Sub, Female, Solder Cup	Norcomp: 180-044-203L001	
				44 Pin Connector Backshell	Norcomp: 979-025-020R121	
	3	J9~J11	Feedback	26 Pin Connector, High Density, D-Sub, Male, Solder Cup	Norcomp: 180-026-103L001	
				26 Pin Connector Backshell	Norcomp: 979-015-020R121	
	1	J8	Secondary Feedback	26 Pin Connector, High Density, D-Sub, Female, Solder Cup	Norcomp: 180-026-203L001	
				26 Pin Connector Backshell	Norcomp: 979-015-020R121	
	SER-CK	1	J6	RS-232	Serial Cable Kit	
	SER-USB-RJ11	1			Serial Cable with USB Cable Connector	

16-01568 Document Revision History

Revision	Date	Remarks
00	April 26, 2017	Preliminary version
01	February 5, 2018	Corrections to pin numbering, JP9 detail added
02	April 1, 2022	Correction to Input Power on p. 2, correction to MP3 dimensions on p. 25, change SPI to SLI Correction page 36 showing J2 twice. Now showing J1, J2, J3 Axis Page 5 has a new graphic showing the mounting of the terminator resistor

Note: Specifications subject to change without notice