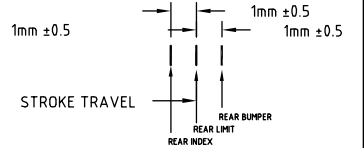
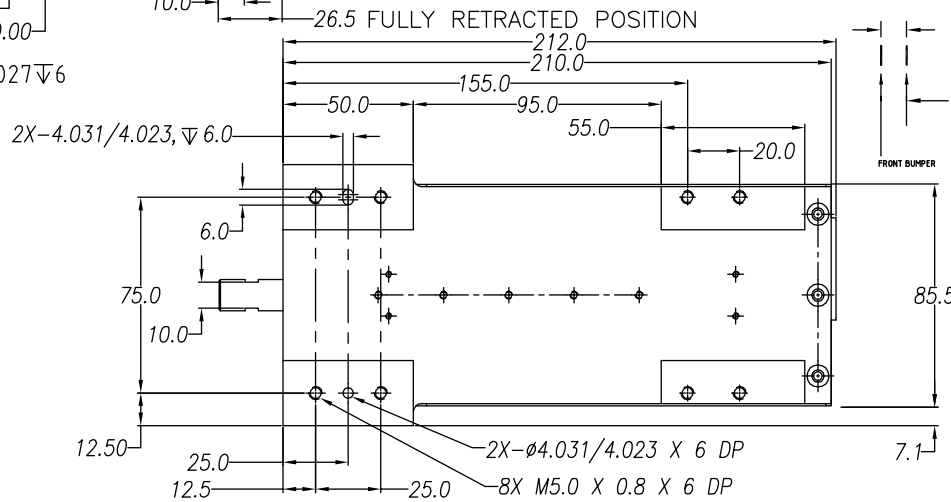
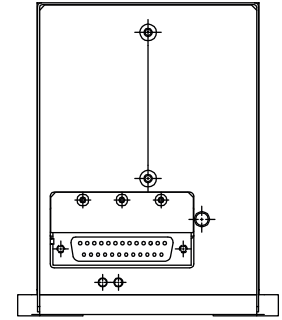
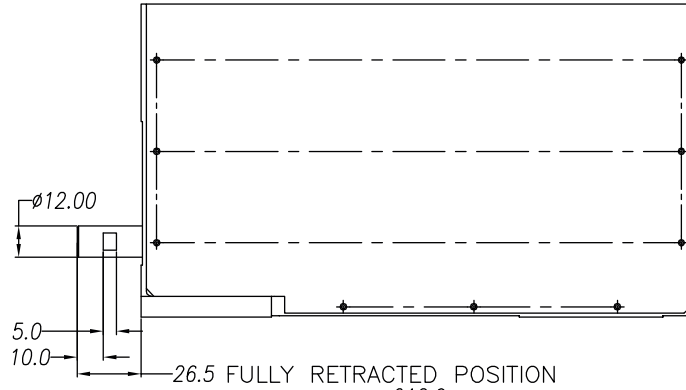
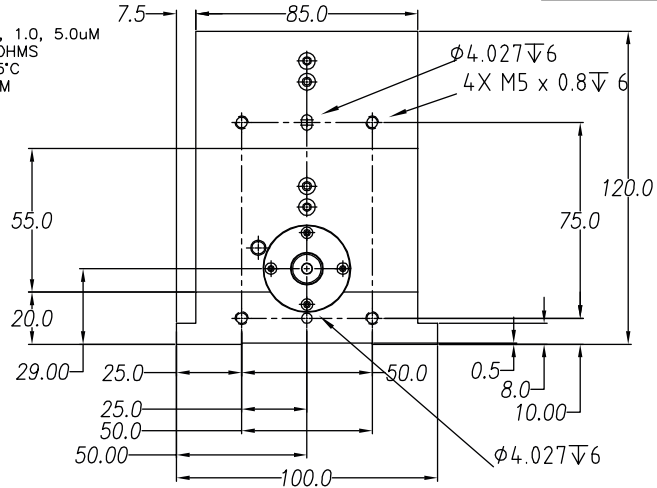


NOTES: (UNLESS OTHERWISE SPECIFIED)

PEAK FORCE: 250 N (48V @ 3 AMPS)
 CONTINUOUS FORCE: 100 N
 FORCE CONSTANT: 87.3 N/A
 STROKE: 30mm
 MOVING MASS: 869g
 TOTAL MASS: 7.8KG
 ENCODER RESOLUTION: 0.5, 1.0, 5.0µm
 COIL DC RESISTANCE: 16 OHMS
 OPERATING TEMP: 0° TO 45°C
 ALL DIMENSIONS ARE IN MM

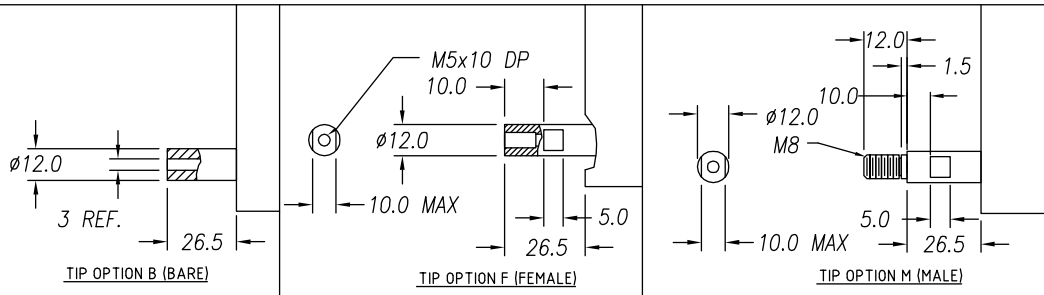
SIGNATURE NEEDED FOR ORDER APPROVAL
 SIGN _____ DATE _____
 APPROVAL NOT RECEIVED WITHIN
 48 HOURS MAY AFFECT DELIVERY

REVISIONS				
REV	DATE	ECN	DESCRIPTION	APP
A	2/6/2019	N/A	INITIAL RELEASE	TRS
B	3/4/19	N/A	UPDATED SPECS	TRS



DB-25P PINOUT

1	+5VDC	14	LINEAR PHASE A+
2	+5V RETURN	15	NO CONNECTION
3	NO CONNECTION	16	LINEAR PHASE B+
4	LINEAR PHASE A-	17	NO CONNECTION
5	OVER HEAT	18	LINEAR INDEX +
6	LIMIT RETURN	19	COIL -
7	COIL +	20	COIL -
8	COIL +	21	NO CONNECTION
9	LINEAR PHASE B-	22	NO CONNECTION
10	NO CONNECTION	23	LINEAR INDEX -
11	LIMIT + (TBD)	24	NO CONNECTION
12	LIMIT - (TBD)	25	NO CONNECTION
13	NO CONNECTION		



TOLERANCES ARE: X. ± 0.50 X.X ± 0.1 X.XX ± 0.05 X.XXX ± 0.01 ANGULARITY ± 0.1° CONCENTRIC ± 0.01 ROUNDNESS ± 0.05 EDGE BREAK 0.2 MAX CHAMFER 0.1 MAX	MATERIAL: HEAT TREAT: _____ / _____ RC _____ DEEP	SMAC		REF. NUMBER			
				LAL300-030			
		MACHINE FINISH: 1.6/ ✓	PART NAME: LAL300-030-7X-2 OUTLINE	DESIGNED BY: SMH	DATE: 2/4/04	CHECKED BY:	DATE:
				DRAWN BY: TRS	DATE: 2/6/19	APPROVED BY:	DATE:
EXCEPT NOTED. PROTECTIVE FINISH	SCALE: NONE	DWG SIZE: SMH	PART NUMBER: LAL300-030-7X-2	SHEET NUMBER: 1 of 1	REVISION: B		
FILE NAME: LAL300-30	SPEC. NUMBER:	DO NOT SCALE DWG					