

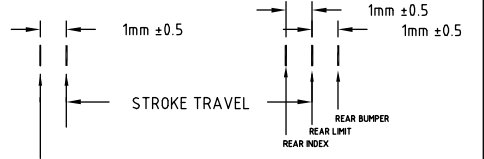
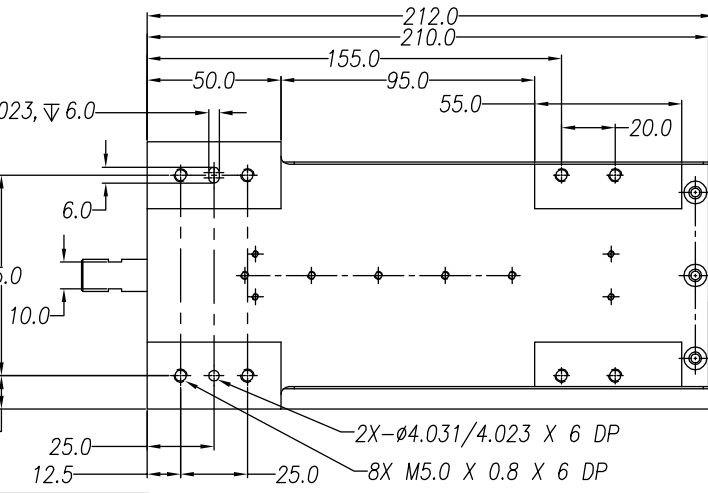
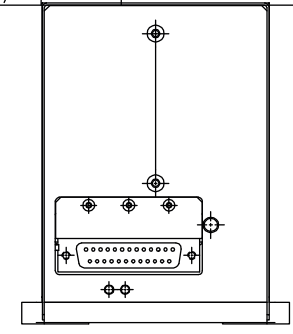
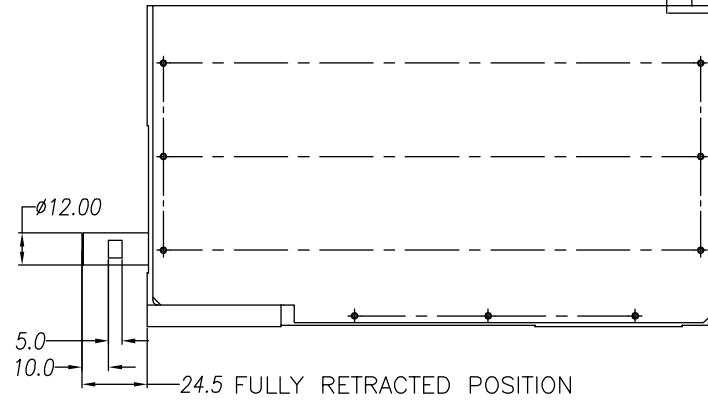
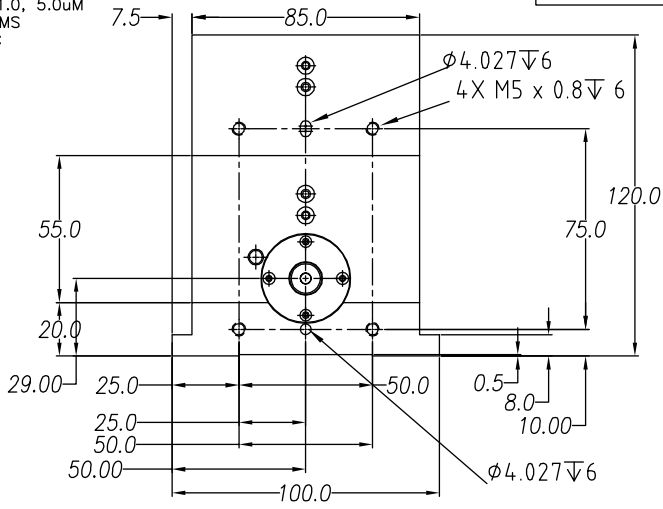
NOTES: (UNLESS OTHERWISE SPECIFIED)

PEAK FORCE: 24KGF (48V @ 3 AMPS)  
 FORCE CONSTANT: 8KG/AMP  
 STROKE: 50mm  
 MOVING MASS: 800g  
 ENCODER RESOLUTION: 0.5, 1.0, 5.0µM  
 COIL DC RESISTANCE: 16 OHMS  
 OPERATING TEMP: 0° TO 45°C  
 ALL DIMENSIONS ARE IN MM

SIGNATURE NEEDED FOR ORDER APPROVAL  
 SIGN \_\_\_\_\_ DATE \_\_\_\_\_  
 APPROVAL NOT RECEIVED WITHIN  
 48 HOURS MAY AFFECT DELIVERY

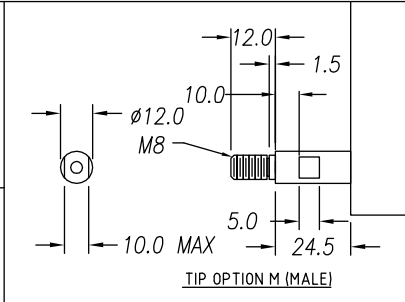
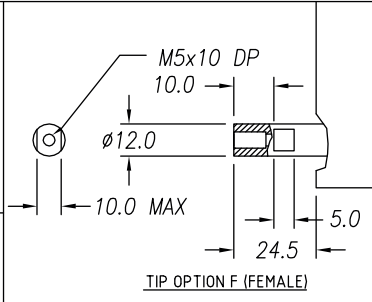
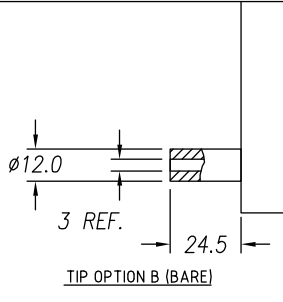
REVISIONS

REV	DATE	ECN	DESCRIPTION	APP
C	10/21/02	2603	SEE ECN	SMH
D	3/2/04	3070	SEE ECN	SMH
E	10/1/13	5288	SEE ECN	KGS
F	1/19/16	5688	PART NUMBER CHANGE	SB



DB-25P PINOUT

1	+5VDC	14	LINEAR PHASE A+
2	+5V RETURN	15	NO CONNECTION
3	NO CONNECTION	16	LINEAR PHASE B+
4	LINEAR PHASE A-	17	NO CONNECTION
5	OVER HEAT	18	LINEAR INDEX +
6	LIMIT RETURN	19	COIL -
7	COIL +	20	COIL -
8	COIL +	21	NO CONNECTION
9	LINEAR PHASE B-	22	NO CONNECTION
10	NO CONNECTION	23	LINEAR INDEX -
11	LIMIT + (TBD)	24	NO CONNECTION
12	LIMIT - (TBD)	25	NO CONNECTION
13	NO CONNECTION		



TOLERANCES ARE:

X.	± 0.50
X.X	± 0.1
X.XX	± 0.05
X.XXX	± 0.01
ANGULARITY	± 0.1°
CONCENTRIC	± 0.01
ROUNDNESS	± 0.05
EDGE BREAK	0.2 MAX
CHAMFER	0.1 MAX

FILE NAME:  
LAL300-50

MATERIAL:

HEAT TREAT: / RC DEEP

MACHINE FINISH: 1.6 /

EXCEPT NOTED. ✓

PROTECTIVE FINISH

SPEC. NUMBER:

SMAC		REF. NUMBER	
DESIGNED BY: SMH	DATE: 3/2/04	CHECKED BY:	DATE:
DRAWN BY: KGS	DATE: 10/1/13	APPROVED BY:	DATE:
PART NAME: LAL300-050-7X-2 OUTLINE		SHEET NUMBER: 1 of 1	
SCALE: NONE	DWG SIZE: SMH	PART NUMBER: LAL300-050-7X-2	REVISION: F
DO NOT SCALE DWG			