

**NOTES: (UNLESS OTHERWISE SPECIFIED)**

1. ALL DIMENSIONS ARE IN MM OTHERWISE NOTED.

2. ALL DIMENSION APPLY AFTER PLATING.

3. ACTUATOR LINEAR SPECIFICATONS:

LINEAR STROKE: 25 MM

PEAK FORCE: 50 KGF @ 3 AMPS

COIL DC RESISTANCE: 16 OHMS @ 23° C

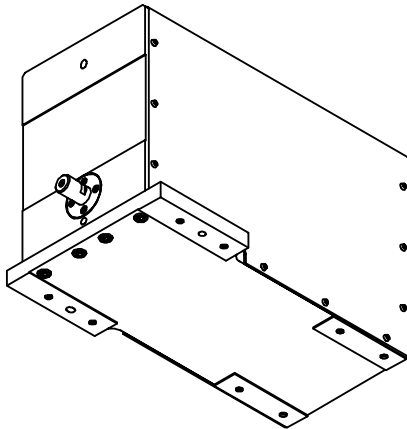
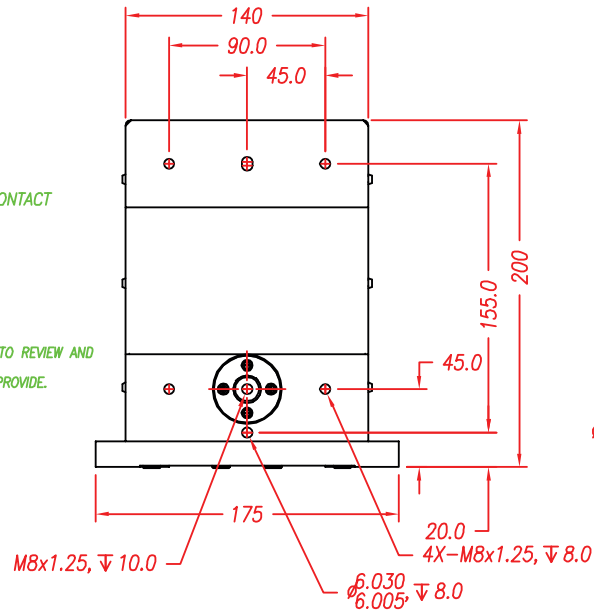
MAXIMUM POWER APPLIED: 48 VDC @ 3 AMPS

LINEAR ENCODER RESOLUTION: 5 MICRON NON-CONTACT

ESTIMATED MOVING MASS (GRAMS): 1600 GRAMS

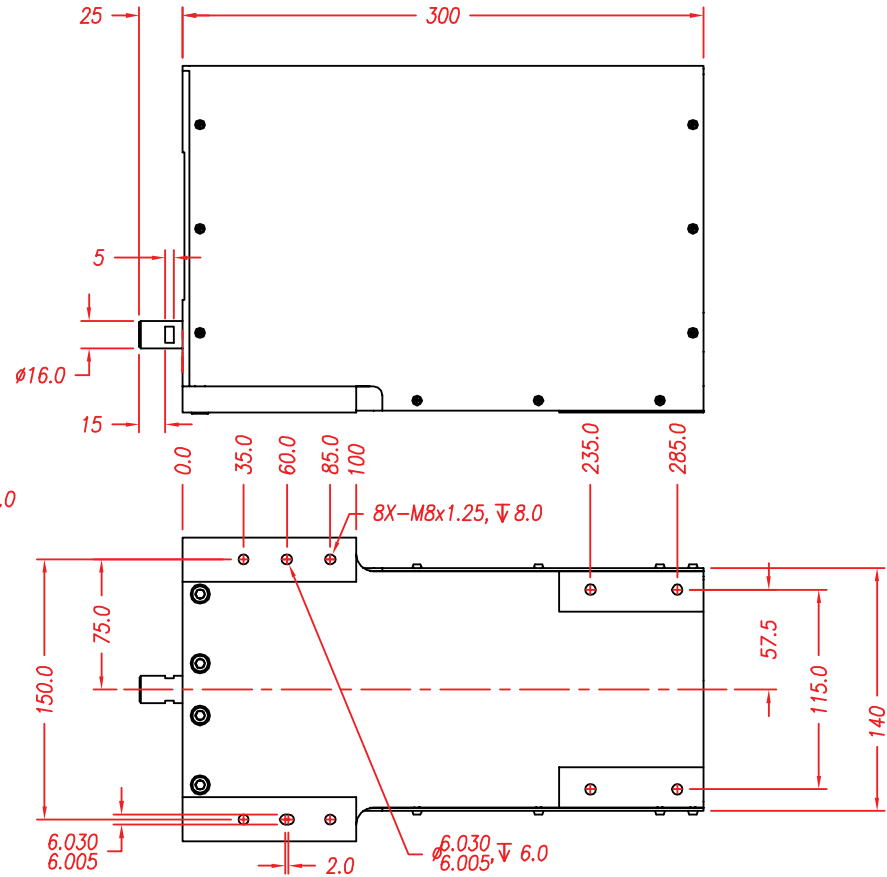
ESTIMATED TOTAL WEIGHT: 26.5 KGRAMS

PLEASE NOTE THIS IS PROPOSAL ONLY. CUSTOMER IS ASKED TO REVIEW AND COMMENT UPON SPECIFICATION AGREEMENT SAMPLE WILL BE PROVIDE.



**REVISIONS**

REV	DATE	ECN	DESCRIPTION	APP
P1	10/02/02		PRELIMINARY RELEASE	TMV
A	1/19/16	5688	PART NUMBER CHANGE	SB



TOLERANCES ARE: X ± 0.50 X.X ± 0.1 X.XX ± 0.05 X.XXX ± ANGULARITY ± 0.1° X.XXX ± 0.01 CONCENTRIC ± 0.05 ROUNDNESS ± 0.05 EDGE BREAK 0.02 MAX CHAMFER 0.03 MAX	MATERIAL: ALUMINUM	<b>SMAC</b>		REF. NUMBER LAL500-25-5
HEAT TREAT: RC DEEP	DESIGNED BY: TOAN VU	DATE: 10/02/02	CHECKED BY:	DATE:
MACHINE FINISH: 1.6	DRAWN BY: TOAN VU	DATE: 10/02/02	APPROVED BY:	DATE:
EXCEPT NOTED. PROTECTIVE FINISH CLEAR ANODIZE, GLASS BEAD	PART NAME: LAL500-25-7X-2		SHEET NUMBER: 1 OF 1	
FILE NAME: LAL500-25-53-5	SPEC. NUMBER:	SCALE: 1:4 DO NOT SCALE DWG	DWG SIZE: B	PART NUMBER: LAL500-25-7X-2
				REVISION: A