

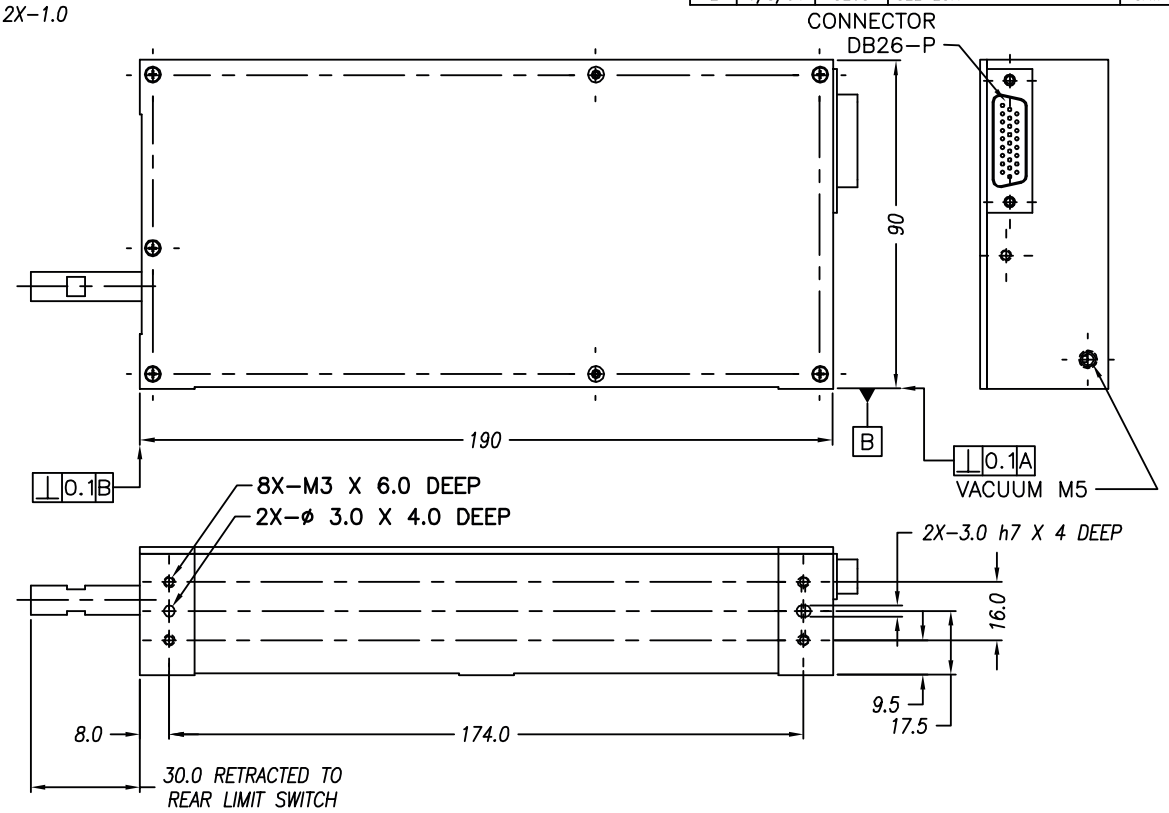
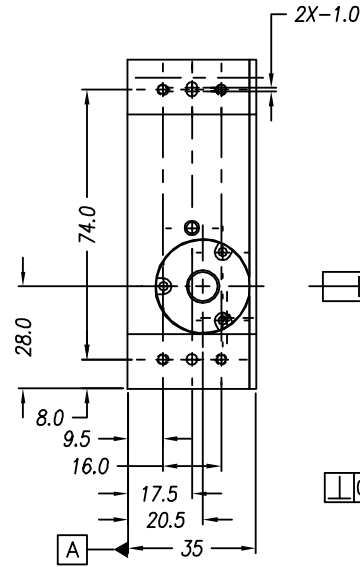
**NOTES: (UNLESS OTHERWISE SPECIFIED)**

- ALL DIMENSIONS ARE IN mm OTHERWISE NOTED.
- LINEAR SPECIFICATION:**  
 LINEAR STROKE: 50.0 +1/-0 mm  
 FORCE CONSTANT: 7.5 N/AMP  
 PEAK FORCE: 10.5 N @ 1.6 AMPS (24 VDC)  
 CONTINUE FORCE : 7.5 N @ 1.0 AMPS (24 VDC)  
 COIL DC RESISTANCE: 13.3 OHMS @ 22°C  
 ENCODER RESOLUTION: 0.5, 1.0, 5.0 Microns  
 ENCODER ACCURACY: ±4 Microns
- THETA SPECIFICATION: (DIRECT OUTPUT SHAFT)**  
 ROTATION ANGLE: 360°  
 PEAK TORQUE: 77.8 mN.m (3.4 Amps , 24 VDC)  
 CONTINUE TORQUE: 14.1 mN.m @ 0.5 Amp (24 DCV)  
 MAXIMUM RPM : 5000 (WITH 0 LOAD & VACUUM)  
 GEAR RATIO: NO (DIRECT DRIVE)  
 ROTARY MOTOR TYPE: DC BRUSH (2342)  
 ENCODER RESOLUTION: 20,000 CPR (MAX 50,000)  
 ENCODER ACCURACY: ±5 COUNTS (ZERO BACK LASH)
- MOVING MASS: 290 GRAMS
- TOTAL MASS: 1350 GRAMS
- OPERATING TEMPERATURE: -10°C TO +65°C

SIGNATURE NEEDED FOR ORDER APPROVAL  
 SIGN \_\_\_\_\_ DATE \_\_\_\_\_  
 APPROVAL NOT RECEIVED WITHIN  
 48 HOURS MAY AFFECT DELIVERY

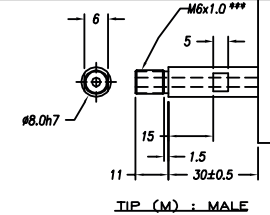
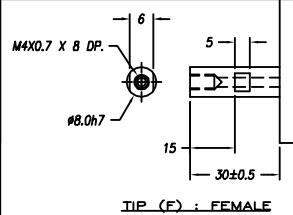
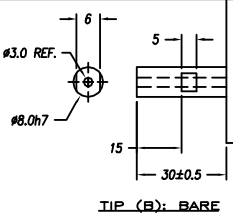
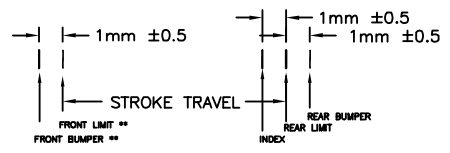
REVISIONS				
REV	DATE	ECN	DESCRIPTION	APP
F	10/13/04	3354	SEE ECN ***	CAW
G	1/24/17	5991	SEE ECN ***	BJC

REVISIONS				
REV	DATE	ECN	DESCRIPTION	APP
C	10/7/02	2608	INITIAL RELEASE	TMV
D	4/4/03	2744	SEE ECN	SMH
E	6/8/04	3208	SEE ECN **	CAW



**DB-26P PINOUT**

1	(L) PH. A+
2	(L) PH. B+
3	(L) PH. Z+
4	NC
5	NC
6	I/O RTN
7	(R) PH. B+
8	(R) PH. A+
9	(R) PH. I+
10	(L) PH. A-
11	(L) PH. B-
12	(L) PH. Z-
13	NC/(R) HOME
14	LIMIT +
15	LIMIT -
16	(R) PH. B-
17	(R) PH. A-
18	(R) PH. I-
19	+5VDC
20	5V RTN
21	(L) COIL +
22	(L) COIL +
23	(L) COIL -
24	(L) COIL -
25	(R) MOTOR -
26	(R) MOTOR +



TOLERANCES ARE:

X	± 0.50
X.X	± 0.1
X.XX	± 0.05
X.XXX	± 0.01
ANGULARITY	± 0.1°
CONCENTRIC	± 0.01
ROUNDNESS	± 0.05
EDGE BREAK	0.2 MAX
CHAMFER	0.2 MAX

FILE NAME:  
LAR35-050-5\_F

MATERIAL:  
ALUMINUM  
6061-T6

HEAT TREAT:  
RC  
DEEP

MACHINE FINISH:  
3.2/

EXCEPT NOTED.

PROTECTIVE FINISH:  
ELECTROLESS NICKEL

SPEC. NUMBER:

SMAC		REF. NUMBER	
LAR35-050-5		LAR35-050	
DESIGNED BY: TOAN VU	DATE: 09/09/02	CHECKED BY:	DATE:
DRAWN BY: S. HOOYMAN	DATE: 10/07/02	APPROVED BY:	DATE:
PART NAME: LAR35-050-5		SHEET NUMBER: 1 OF 1	
SCALE: NONE	DWG SIZE: B	PART NUMBER: LAR35-050-5	REVISION: G
DO NOT SCALE DWG			