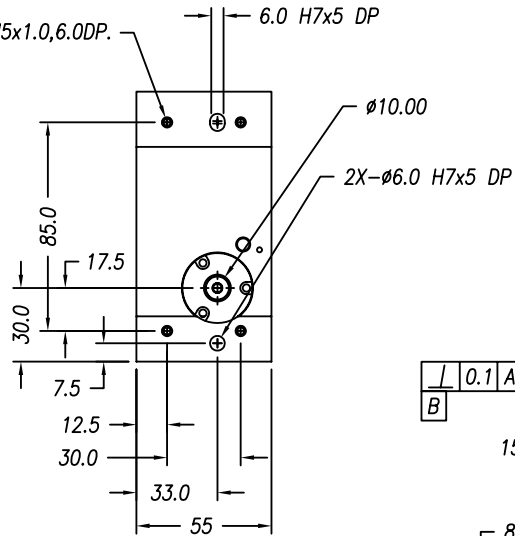


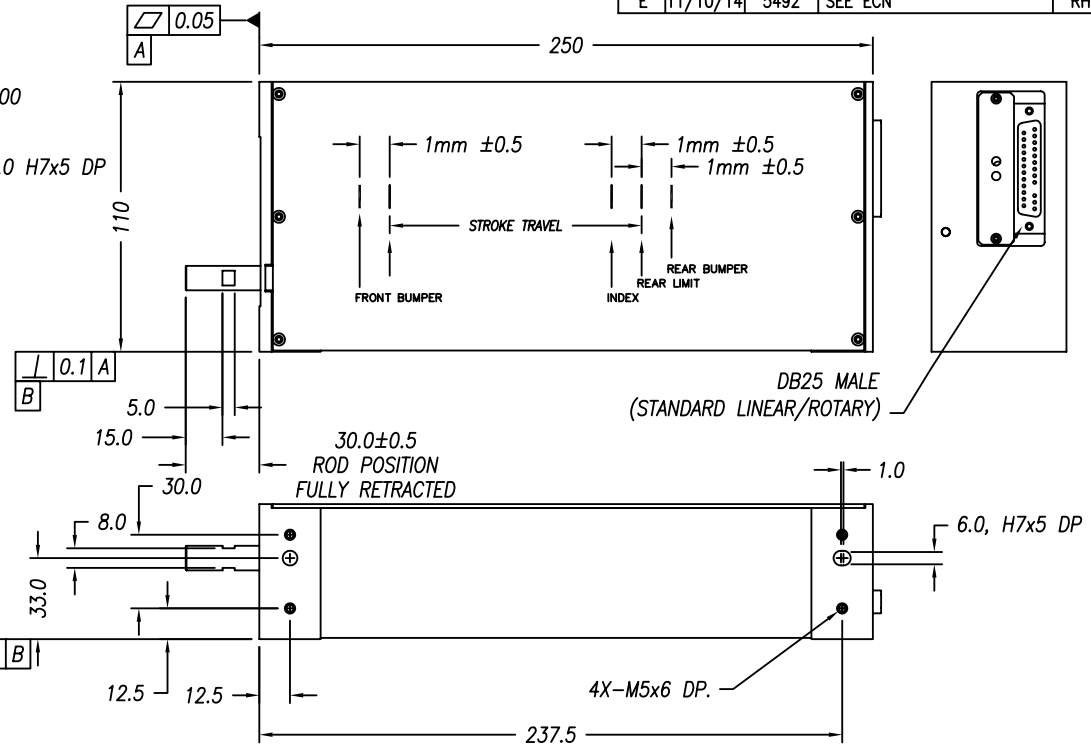
NOTES: (UNLESS OTHERWISE SPECIFIED)

- ALL DIMENSIONS ARE IN MM UNLESS OTHERWISE NOTED.
- ACTUATOR SPECIFICATIONS:  
 LINEAR STROKE: 50.0 MM  
 FORCE CONSTANT: 27 N/AMP  
 PEAK FORCE: 40N @1.8 AMPS (48 VDC)  
 COIL DC RESISTANCE: 25 OHMS @ 22°C  
 COIL INDUCTANCE: TBD mH @ 1KHz  
 LINEAR ENCODER RESOLUTION: 5, 1, 0.1 MICRON  
 ENCODER ACCURACY: ±4 COUNTS  
 MOVING MASS: 0.3 KG  
 TOTAL MASS: 2.9 KG  
 ROTARY ANGLE: 360° FULL CIRCLE (PITTMAN 30mm)  
 PEAK TORQUE: .12Nm @ 2.4  
 TORQUE CONSTANT: .054 Nm/A (48 VDC)  
 CONTINUOUS TORQUE: .036 Nm @ 0.79A  
 GEAR RATIO: NONE (DIRECT DRIVE)  
 THETA ENCODER RESOLUTION: 2000 COUNT/ REV
- OPERATING TEMPERATURE: 0°C TO +65°C

4X-M5x1.0,6.0DP.



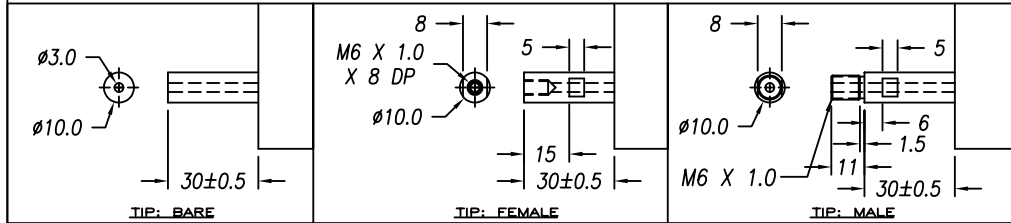
REVISIONS				
REV	DATE	ECN	DESCRIPTION	APP
E	11/10/14	5492	SEE ECN	RH



DB-25P PINOUT

1	+5VDC	14	LINEAR PHASE A+
2	+5V RETURN	15	ROTARY PHASE A+
3	ROTARY MOTOR-	16	LINEAR PHASE B+
4	LINEAR PHASE A-	17	ROTARY PHASE B+
5	NC	18	LINEAR INDEX +
6	TBD	19	COIL -
7	COIL +	20	COIL -
8	COIL +	21	ROTARY PHASE A-
9	LINEAR PHASE B-	22	ROTARY COARSE INDEX
10	ROTARY MOTOR+	23	LINEAR INDEX -
11	LIMIT + (TBD)	24	ROTARY FINE INDEX
12	LIMIT - (TBD)	25	ROTARY FINE INDEX
13	ROTARY PHASE B-		

SIGNATURE NEEDED FOR ORDER APPROVAL  
 SIGN \_\_\_\_\_ DATE \_\_\_\_\_  
 APPROVAL NOT RECEIVED WITHIN  
 48 HOURS MAY AFFECT DELIVERY



TOLERANCES ARE: X. ± 0.50 X.X ± 0.1 X.XX ± 0.05 X.XXX ± 0.1 ANGULARITY ± 0.1° CONCENTRIC ± 0.01 ROUNDNESS ± 0.05 EDGE BREAK 0.2 MAX CHAMFER 0.1 MAX	MATERIAL: ALUMINUM 6061-T6		<b>SMAC</b>		REF. NUMBER LAR55-050	
	HEAT TREAT: _____ / _____ RC _____ / _____ DEEP		DESIGNED BY: TOAN VU	DATE: 02/05/01	CHECKED BY: _____	
	MACHINE FINISH: _____ / _____ 1.6/		DRAWN BY: KARL STOCKS	DATE: 10/22/13	APPROVED BY: _____	CONTRACT: STD
	EXCEPT NOTED.		PART NAME: LAR55-050-7X-1			SHEET NUMBER: 1 OF 1
FILE NAME: LAR55-050-7_E		PROTECTIVE FINISH ELECTROLESS NICKEL	SCALE: NONE	DWG SIZE: B	PART NUMBER: LAR55-050-7X-1	
SPEC. NUMBER:		DO NOT SCALE DWG		REVISION: E		