

NOTES: (UNLESS OTHERWISE SPECIFIED)

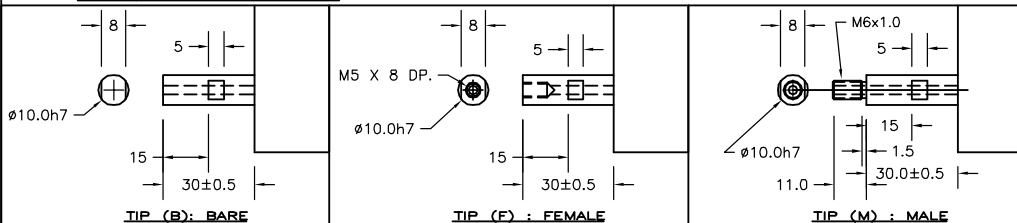
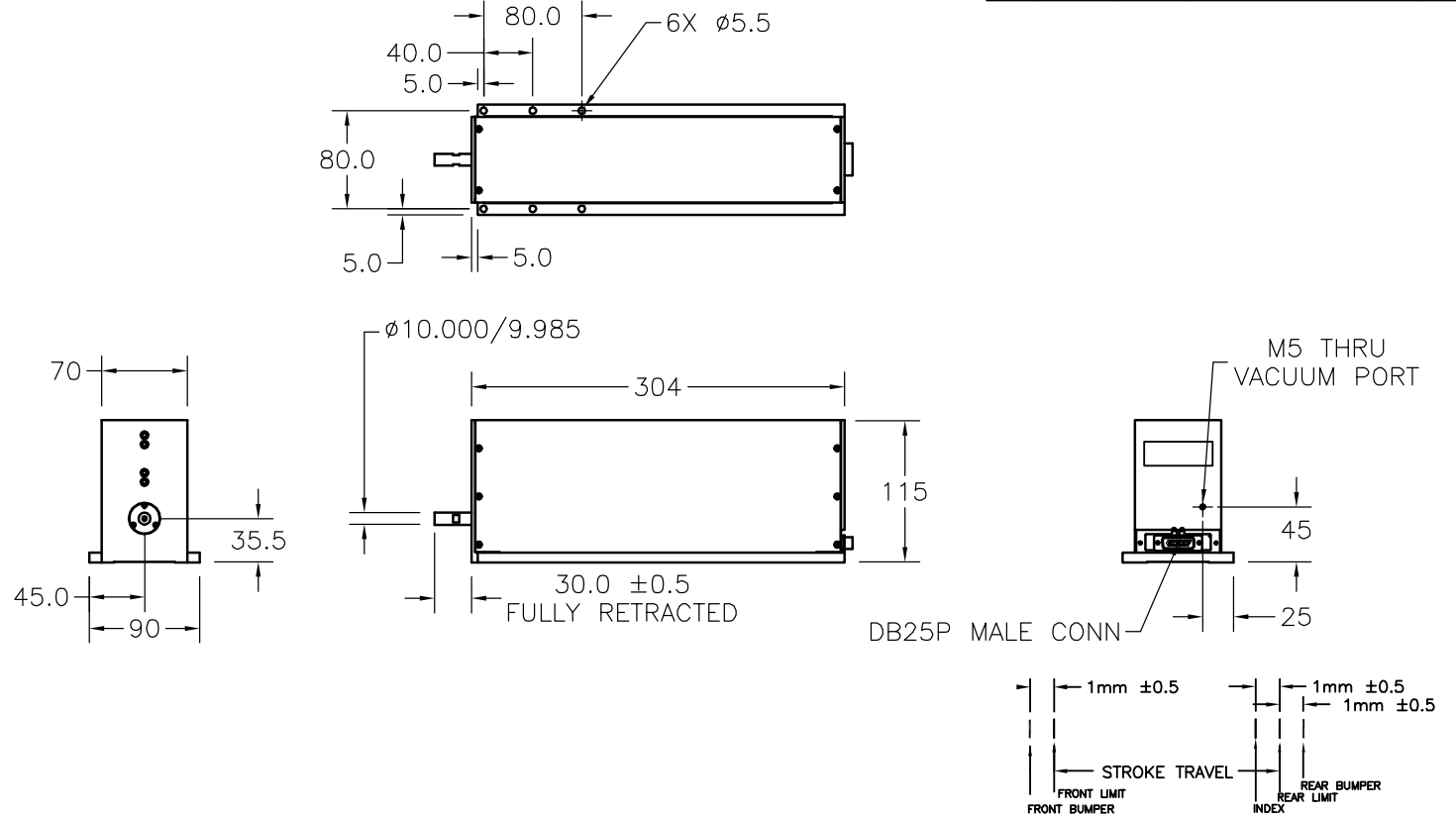
- ALL DIMENSIONS ARE IN MILLIMETERS.
- LINEAR SPECIFICATION:**
 LINEAR STROKE: 15 +1/-0 mm
 FORCE CONSTANT: 53 N/AMP
 PEAK FORCE: 84N @ 1.7 AMPS (48 VDC)
 CONTINUOUS FORCE : 53 N @ 1 AMP (48 VDC)
 COIL DC RESISTANCE: 26.5 OHMS @ 22°C
 ENCODER RESOLUTION: 0.5, 1 AND 5 Microns
 ENCODER ACCURACY: ±4 Counts
- THETA SPECIFICATION:**
 ROTATION ANGLE: 360°
 PEAK TORQUE: TBD Nm (X Amps , XX VDC)
 CONTINUOUS TORQUE: 1Nm @ 2.3 Amps (48 DCV)
 MAXIMUM RPM : 80 (WITH 0 LOAD & VACUUM)
 GEAR RATIO: 72.3:1
 ROTARY MOTOR TYPE: 48V BRUSH
 ENCODER RESOLUTION: 2000 CPR
 ENCODER ACCURACY: ± 5 COUNTS (ZERO BACK LASH)
- MOVING MASS: 916 GRAMS
- TOTAL MASS: 3086 GRAMS
- OPERATING TEMPERATURE: -10°C TO +65°C

DB-25P PINOUT

1	+5VDC
2	+5V RETURN
3	ROTARY MOTOR-
4	LINEAR PHASE A-
5	NC
6	TBD
7	COIL +
8	COIL -
9	LINEAR PHASE B-
10	ROTARY MOTOR+
11	LIMIT + (TBD)
12	LIMIT - (TBD)
13	ROTARY PHASE B-
14	LINEAR PHASE A+
15	ROTARY PHASE A+
16	LINEAR PHASE B+
17	ROTARY PHASE B+
18	LINEAR INDEX +
19	COIL -
20	COIL -
21	ROTARY PHASE A-
22	ROTARY COARSE INDEX
23	LINEAR INDEX -
24	ROTARY FINE INDEX
25	ROTARY FINE INDEX

SIGNATURE NEEDED FOR ORDER APPROVAL
 SIGN _____ DATE _____
 APPROVAL NOT RECEIVED WITHIN
 48 HOURS MAY AFFECT DELIVERY

REVISIONS				
REV	DATE	ECN	DESCRIPTION	APP
A	5-12-03	2809	INITIAL RELEASE	BR
B	1/28/04	3041	UPDATE SHAFT END DIM. ADD FRONT LIMIT	SEK
C	3/19/04	3113	SEE ECN	SMH
D	2/16/05	3485	SEE ECN	CAW
E	1/20/16	5688	PART NUMBER CHANGE	SB



TOLERANCES ARE: X. ± 0.50 XX ± 0.1 XXX ± 0.05 X.XXX ± ANGULARITY ± 0.1° CONCENTRIC ± 0.01 ROUNDNESS ± 0.05 EDGE BREAK 0.02 MAX CHAMFER 0.03 MAX	MATERIAL: HEAT TREAT: _____ RC _____ DEEP MACHINE FINISH: 3.2 EXCEPT NOTED. PROTECTIVE FINISH SPEC. NUMBER:	<h1>SMAC</h1>		REF. NUMBER LAR95-015-7	
		DESIGNED BY: B. REDNOUR	DATE: 5-9-03	CHECKED BY: _____	DATE: _____
FILE NAME: LAR95-015-7_D		DRAWN BY: B. REDNOUR	DATE: 5-9-03	APPROVED BY: _____	DATE: _____
PART NAME: LAR95-015-7X-1			SHEET NUMBER: 1 OF 1		
SCALE: 4/1 DO NOT SCALE DWG		DWG SIZE: B	PART NUMBER: LAR95-015-7X-1		REVISION: E