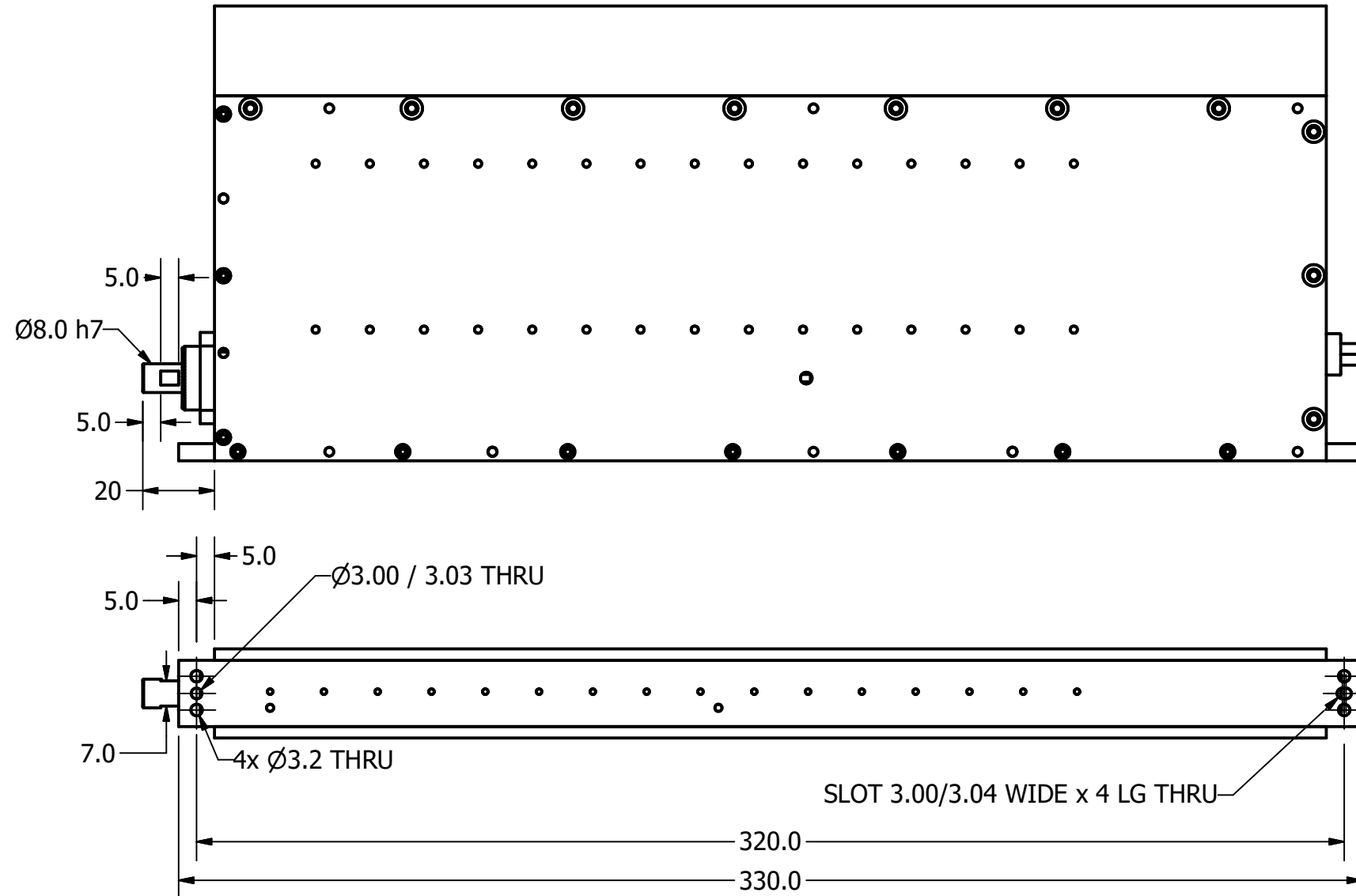
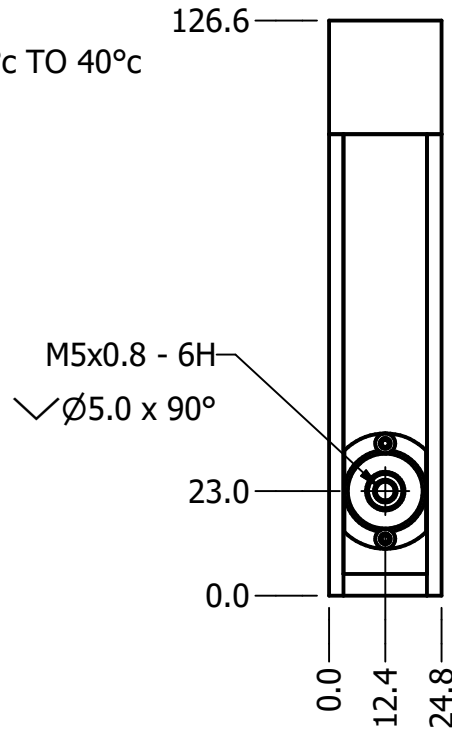


NOTES (UNLESS OTHERWISE SPECIFIED)

1. ALL DIMENSIONS ARE IN mm UNLESS OTHERWISE NOTED.
2. STROKE: 150mm
3. PEAK FORCE: 60N @ 1.7A (48V)
4. FORCE CONSTANT: 35 N/A
5. ENCODER RESOLUTION: 5, 1um
6. TERMINAL RESISTANCE: 28.8 ±0.3 OHM
7. MOVING MASS: 0.22 Kg
8. TOTAL MASS: 3.8 Kg
9. OPERATING TEMPERATURE: 0°C TO 40°C
10. COIL PITCH 29.7mm

REVISION HISTORY				
REV	DATE	ECN	DESCRIPTION	APPROVED
A	3/21/2019		RELEASE	MAC
B	5/10/2019		AMP CHG	MAC
C	5/14/2019		TOTAL MASS	MAC



CABLE EXTEND
3M LENGTH
FLYING LEAD /
PIGTAIL
DB-26P 0.5M LG

DB-26P	
PIN No	DETAIL
1	PH. A+
2	PH. B+
3	PH. Z+
4	NC
5	NC
6	I/O RTN
7	NC
8	NC
9	NC
10	PH. A-
11	PH. B-
12	PH. Z-
13	NC
14	NC
15	NC
16	NC
17	NC
18	NC
19	+5 VDC
20	5V RTN
21	NC
22	COIL U
23	COIL V
24	COIL W
25	NC
26	NC

DB-15P	
PIN No	DETAIL
1	PH. A+
2	PH. Z+
3	PH. B+
4	+5 VDC
5	NC
6	NC
7	NC
8	NC
9	PH. A-
10	PH. Z-
11	PH. B-
12	5V RTN
13	NC
14	NC
15	NC

POWER	
PIN No	DETAIL
1	GND
2	+V
3	U
4	V
5	W
6	NC

TOLERANCES ARE:	
X. ± 0.50	
X.X ± 0.1	
X.XX ± 0.05	
X.XXX ±	
ANGULARITY ± 0.1°	
CONCENTRIC ± 0.01	
ROUNDNESS ± 0.05	
EDGE BREAK 0.02 MAX	
CHAMFER 0.03 MAX	
FILE NAME:	
LBL25-150-3X-3_C.idw	

MATERIAL:		SMAC		REF. NUMBER	
				LBL25-150-3X-3	
HEAT TREATMENT:		DESIGNED BY:	DATE:	CHECKED BY:	DATE:
		mark	4/22/2019		
MACHINE FINISH:		DRAWN BY:	DATE:	APPROVED BY:	DATE:
3.2/		mark	3/21/2019		
EXCEPT NOTED		PART NAME:			SHEET NUMBER:
PROTECTIVE FINISH:		LBL25-150-3X-3			1 OF 1
SPEC. NUMBER:		SCALE:	DWG SIZE:	PART NUMBER:	REVISION:
		DO NOT SCALE DWG	B	STACK STYLE	C