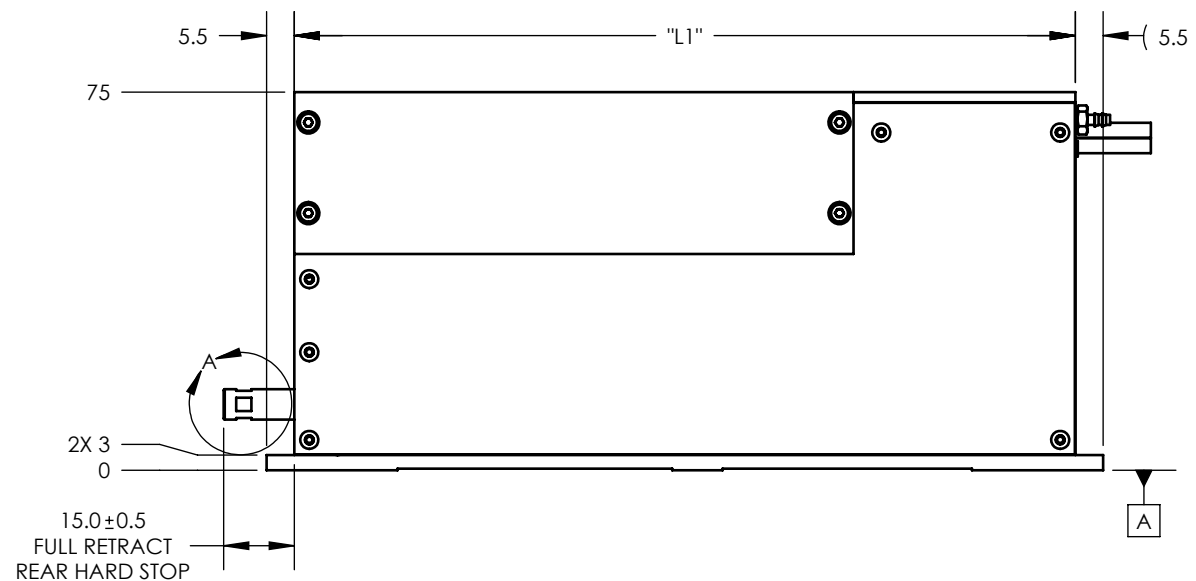
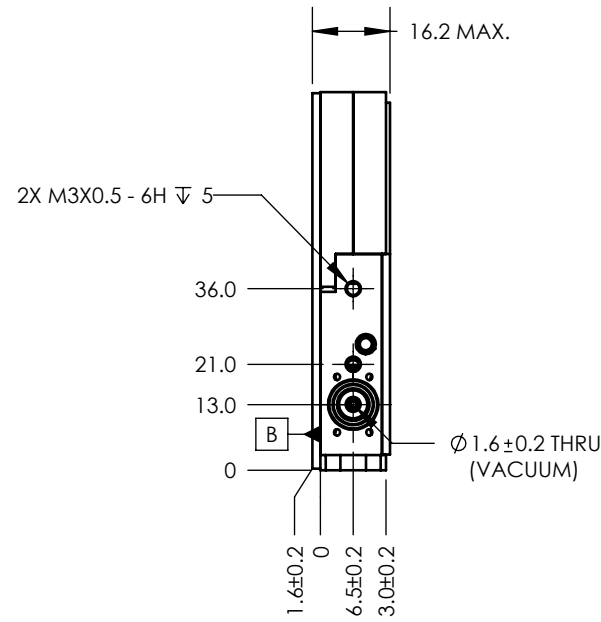
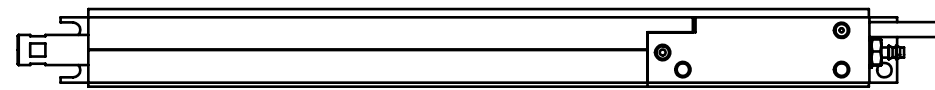


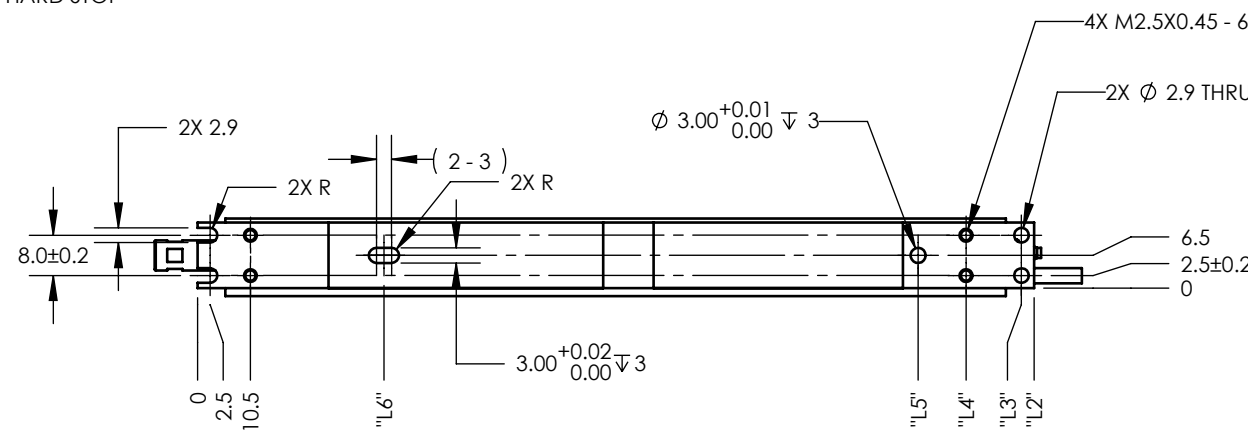
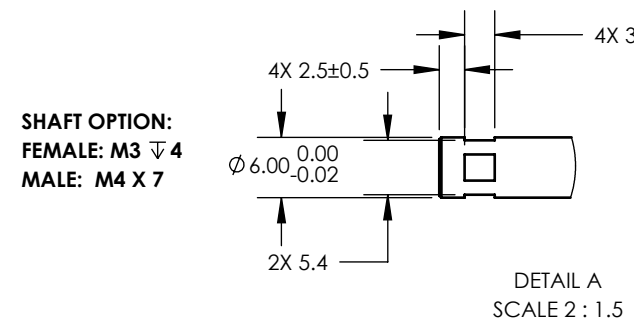
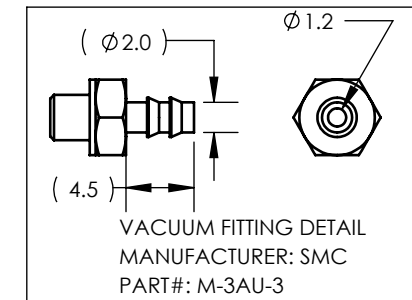
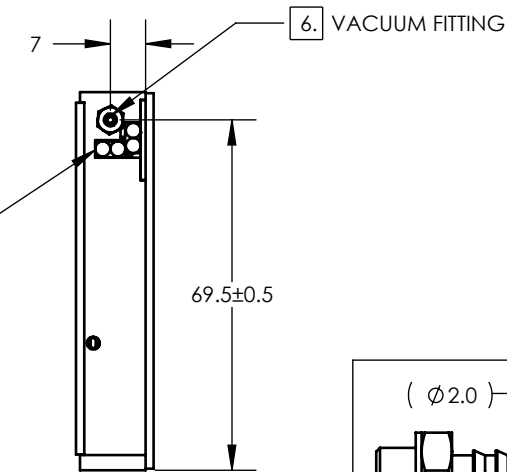
SPECIFICATIONS:

1. ENCODER INDEX: 2 ± 1mm FROM REAR STOP (LINEAR AXIS)
2. LINEAR POLE PITCH: 18.3mm (LINEAR AXIS)
3. OPERATING TEMPERATURE: 0°C TO 40°C
4. INNER FLUSH NOSE BUSHING
5. ALL DIMENSIONS ARE IN mm
6. ONLY FOR VACUUM OPTION

REVISIONS				
REV	ECR	DESCRIPTION	DATE	APPROVED
C	6739	REDRAWN	4/19/2019	TW



CABLE OPTION:
PIGTAIL (LG=0.5m) DB-26P
FLYING LEAD (LG=3m)
2x-DB-15P



PIGTAIL

1X (-6)	
PIN No	DB-26P
1	(L) PH. A+
2	(L) PH. B+
3	(L) PH. Z+
4	NC
5	NC
6	NC
7	NC
8	NC
9	NC
10	(L) PH. A-
11	(L) PH. B-
12	(L) PH. Z-
13	NC
14	NC
15	NC
16	NC
17	NC
18	NC
19	+5 VDC
20	5V RTN
21	NC
22	(L) COIL (U)
23	(L) COIL (V)
24	(L) COIL (W)
25	NC
26	NC

1X (-2)	
PIN No	DB-26P
1	(L) PH. A+
2	(L) PH. B+
3	(L) PH. Z+
4	NC
5	(L) MOTOR+
6	NC
7	NC
8	NC
9	NC
10	(L) PH. A-
11	(L) PH. B-
12	(L) PH. Z-
13	NC
14	NC
15	NC
16	NC
17	NC
18	NC
19	+5 VDC
20	5V RTN
21	NC
22	(L) MOTOR+
23	(L) MOTOR -
24	(L) MOTOR -
25	NC
26	NC

FLYING LEAD

1X (-2 & -6)	
PIN No	DB-15P
1	PH. A+
2	PH. Z+
3	PH. B+
4	+5 Vdc
5	NC
6	NC
7	NC
8	NC
9	NC
10	PH. Z -
11	PH. B -
12	5V RTN
13	NC
14	NC
15	NC

1X (-2 & -6)	
PIN No	PHOENIX. 6P
1	GND
2	+V
3	MOTOR U (MOTOR +)
4	MOTOR V (MOTOR -)
5	MOTOR W
6	NC

TABLE					
No	UNIT	DETAILS	LCA16-025-55-2	LCA16-035-15-6	LCA16-050-15-6
1	mm	LINEAR STROKE	25	35	50
2	N	PEAK FORCE	7	14	14
3	N/A	FORCE CONSTANT	2.5	9.4	9.4
4	micron	ENCODER RESOLUTION	5, 1	5, 1	5, 1
5	A	MAXIMUM CURRENT	3	1.5	1.5
6	Ohm	COIL RESISTANCE	8.1	13.5	13.5
7	mH	COIL INDUCTANCE	0.93	0.95	0.95
8	kg	MOVING MASS	0.080	0.120	0.125
9	kg	TOTAL MASS	0.470	0.620	0.730
10		VACUUM OPTION	YES	YES	YES
11		SPRING OPTION	YES	YES	YES
12	mm	DIMENSION L1	155	180	210
13	mm	DIMENSION L2	166	191	221
14	mm	DIMENSION L3	163.5	188.5	218.5
15	mm	DIMENSION L4	152.5	180.5	207.5
16	mm	DIMENSION L5	143	153	198.0
17	mm	DIMENSION L6	37	42.5	42.5

UNLESS OTHERWISE SPECIFIED:
ALL DIMENSIONS ARE IN MM
BREAK EDGES AND REMOVE BURRS
TOLERANCES
X: ±0.5 X.X: ±0.1
X.XX: ±0.03 ANGLE: ±0.1°
CONCENTRICITY: ±0.025
ROUNDNESS: ±0.025
EDGE BREAKS: 0.2 MAX
ALL DIMENSIONS AND TOLERANCES ARE FINAL

MATERIAL: SEE BOM
FINISH: SEE BOM
MACHINE FINISH: 1.6 ∇
INTERPRET PER: ASME Y14.5-2009
THIRD ANGLE PROJECTION

SMAC
MOVING COIL ACTUATORS
5807 VAN ALLEN WAY
CARLSBAD CA, 92008
(760) 929-7588

NAME: TW DATE: 4/19/2019
DWN BY: TW
CHK BY: TMV 4/19/2019
ENG APP: TMV 4/19/2019
MFG APP: QA APP

TITLE: LINEAR ACTUATOR

REF. NUMBER: LCA16 CONTRACT: STD

SIZE: B PART NO: LCA16-XXX-YY-Z REV: C
SCALE: 2:3 DO NOT SCALE SHEET: 1/1