

4

3

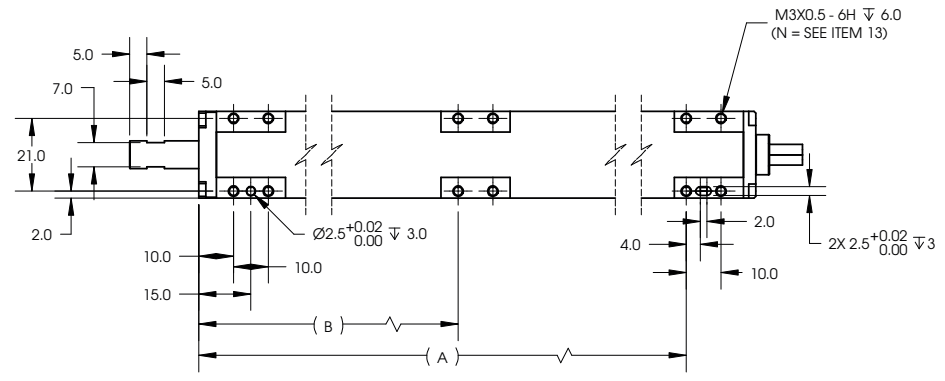
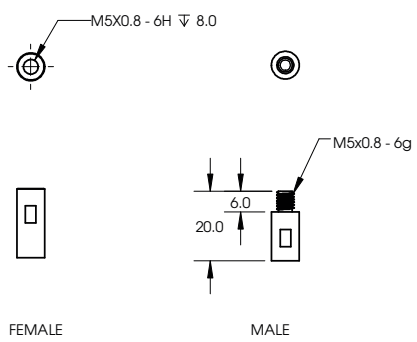
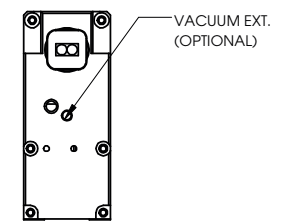
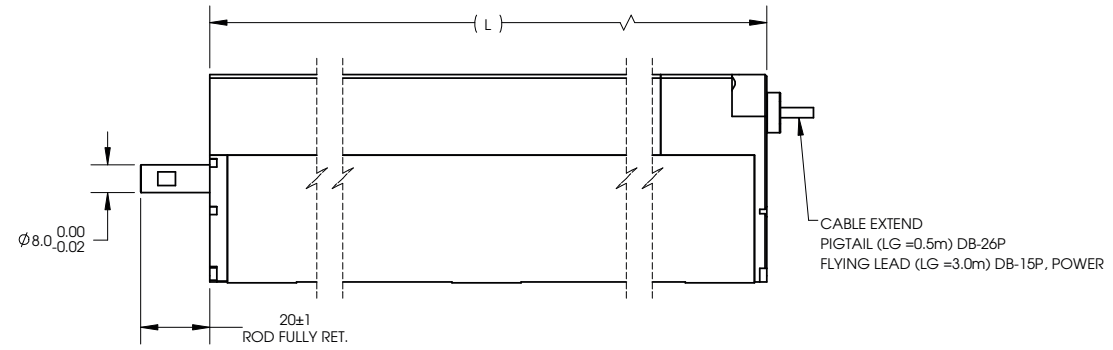
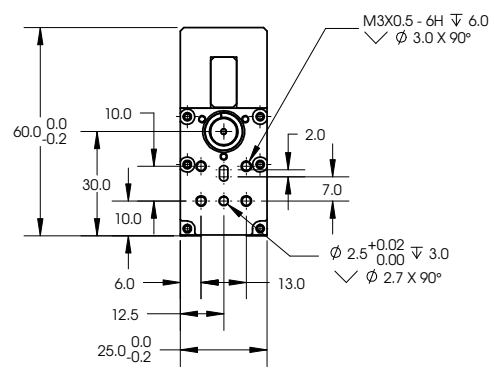
2

1

NOTES (UNLESS OTHERWISE SPECIFIED)

- 1. ALL DIMENSIONS ARE IN mm UNLESS OTHERWISE NOTED.
- 2. OPERATING TEMPERATURE: 0°C TO 45°C
- 3. ENCODER RESOLUTION: 5, 1, 0.1µm
- 4. ENCODER REPEATABILITY: 4 COUNTS

REVISIONS				
REV	ECR	DESCRIPTION	DATE	APPROVED
Q	5491	NEW PART#	11/20/2014	JF
R		ADDED 250mm STROKE	2/17/2017	BJC
S	6248	ADDED PINOUT FOR SINGLE PHASE UNIT	11/1/2017	BJC
T	6276	UPDATED SPECIFICATIONS	11/17/2017	BJC



FEMALE

MALE

REF. NUMBER	LCA25
CONTRACT	LCA25

UNLESS OTHERWISE SPECIFIED:
 ALL DIMENSIONS ARE IN MM
 BREAK EDGES AND REMOVE BURRS
 TOLERANCES
 X: \pm 0.5 XX: \pm 0.1
 XXX: \pm 0.05 ANGLE: \pm 0.1°
 CONCENTRICITY: \pm 0.01
 ROUNDNESS: 0.05
 EDGE BREAKS: 0.02 MAX
 CHAMFER: 0.03 MAX
 ALL DIMENSIONS AND TOLERANCES ARE FINAL.

MATERIAL:	NAME	DATE
FINISH:	BJC	02/16/2017
SEE NOTES	CHK BY:	
MACHINE FINISH:	ENG APP	
	MFG APP	
	QA APP	
INTERPRET PER:	PROPRIETARY AND CONFIDENTIAL	
ASME Y14.5-2009	THIRD ANGLE PROJECTION	

SMAC MOVING COIL ACTUATORS TITLE: LCA25-XXX-YY-Z SIZE: B PART NO: LCA25-XXX-YY-Z REV: T SCALE: DO NOT SCALE SHEET: 1 / 2		5807 VAN ALLEN WAY CARLSBAD CA, 92008 (760) 929-7588
---	--	--

4

3

2

1

PIGTAIL

-6/-8(PIN 24 = NC)

LCA25-XXX-YY-6

LCA25-XXX-YY-2

PIN No	DB-26P
1	(L) PH. A+
2	(L) PH. B+
3	(L) PH. Z+
4	NC
5	NC
6	NC
7	NC
8	NC
9	NC
10	(L) PH. A-
11	(L) PH. B-
12	(L) PH. Z-
13	NC
14	NC
15	NC
16	NC
17	NC
18	NC
19	+5 VDC
20	5V RTN
21	NC
22	L. COIL (U)
23	L. COIL (V)
24	L. COIL (W)
25	NC
26	NC

PIN No	DB-26P
1	(L) PH. A+
2	(L) PH. B+
3	(L) PH. Z+
4	NC
5	NC
6	NC
7	NC
8	NC
9	NC
10	(L) PH. A-
11	(L) PH. B-
12	(L) PH. Z-
13	NC
14	NC
15	NC
16	NC
17	NC
18	NC
19	+5 VDC
20	5V RTN
21	(L) MOTOR+
22	(L) MOTOR+
23	(L) MOTOR-
24	(L) MOTOR-
25	NC
26	NC

FLYING LEAD

-6/-8(PIN 5 = NC)

FOR LCC-10 /LAC-1

POWER

LCC-10

PIN No	DB-15P
1	PH. A+
2	PH. B+
3	PH. Z+
4	+5 Vdc
5	NC
6	NC
7	NC
8	NC
9	PH. A -
10	PH. Z -
11	PH. B -
12	5V RTN
13	NC
14	NC
15	NC

PIN No	6P DETAIL
1	GND
2	+V
3	MOTOR U (+)
4	MOTOR V (-)
5	MOTOR W
6	NC

LAC-1

PIN No	4P DETAIL
1	GND
2	+V
3	MOTOR +
4	MOTOR -

LCA25-XXX-YY-Z																		
No	DETAILS	UNIT	LCA25-010-55-2	LCA25-010-75-2	LCA25-025-15-6	LCA25-025-35-6	LCA25-025-55-2	LCA25-025-75-2	LCA25-050-15-6	LCA25-050-35-6	LCA25-100-15-6	LCA25-100-35-6	LCA25-150-15-6	LCA25-150-35-6	LCA25-200-15-6	LCA25-200-35-6	LCA25-250-15-6	LCA25-250-35-6
1	LINEAR STROKE	mm	10	10	25	25	25	25	50	50	100	100	150	150	200	200	250	250
2	PEAK FORCE	N	16	22	15	20.5	7.4	9.2	15	20.5	15	20.5	15	20.5	15	20.5	15	20.5
3	FORCE CONSTANT	N/A	5.5	8	9.5	13	2.5	3	9.5	13	9.5	13	9.5	13	9.5	13	9.5	13
4	MAXIMUM CURRENT	Amp	3	3.5	1.6	1.6	3	3	1.6	1.6	1.6	1.6	1.6	1.6	1.6	1.6	1.6	1.6
5	COIL RESISTANCE	Ohm	7.5	13.0	15	30	7	13.6	15	30	15	30	15	30	15	30	15	30
6	MOVING MASS	kg	0.085	0.085	0.076	0.076	0.076	0.076	0.082	0.082	0.10	0.10	0.12	0.12	0.14	0.14	0.16	0.16
7	TOTAL MASS	kg	0.45	0.45	0.53	0.53	0.55	0.55	TBD	TBD	TBD	TBD	TBD	1.3	1.3	1.52	1.52	
8	DIMENSION (L)	mm	130	130	130	130	130	130	155	155	205	205	258	258	310	310	362	362
9	DIMENSION (A)	mm	110	110	110	110	110	110	135	135	185	185	236	238	290	290	342	342
10	DIMENSION (B)	mm	N/A	N/A	N/A	N/A	N/A	N/A	N/A	N/A	90	90	115	115	140	140	192	192
11	(N) # MOUNTING HOLES		8	8	8	8	8	8	8	8	12	12	12	12	12	12	12	12

UNLESS OTHERWISE SPECIFIED: ALL DIMENSIONS ARE IN MM BREAK EDGES AND REMOVE BURRS TOLERANCES X: ±0.5 XX: ±0.1 XXX: ±0.05 ANGLE: ±0.1° CONCENTRICITY: ±0.01 ROUNDNESS: ±0.05 EDGE BREAKS: 0.02 MAX CHAMFER: 0.03 MAX ALL DIMENSIONS AND TOLERANCES ARE FINAL.	MATERIAL: FINISH: MACHINE FINISH: INTERPRET PER: ASME Y14.5-2009 	NAME: BJC DATE: 02/16/2017 DRAWN BY: ENG APP CHECK BY: MFG APP QA APP	SMAC MOVING COIL ACTUATORS TITLE: LCA25-XXX-YY-Z SIZE: B PART NO: LCA25-XXX-YY-Z SCALE: DO NOT SCALE SHEET: 2 / 2	5807 VAN ALLEN WAY CARLSBAD CA, 92008 (760) 929-7588	
	REF. NUMBER: LCA25 CONTRACT: LCA25	PROPRIETARY AND CONFIDENTIAL THE INFORMATION CONTAINED IN THIS DRAWING IS THE SOLE PROPERTY OF SMAC. IT IS TO BE USED FOR THE PROJECT AND FOR NO OTHER PURPOSE WITHOUT THE WRITTEN PERMISSION OF SMAC.	REV: T		