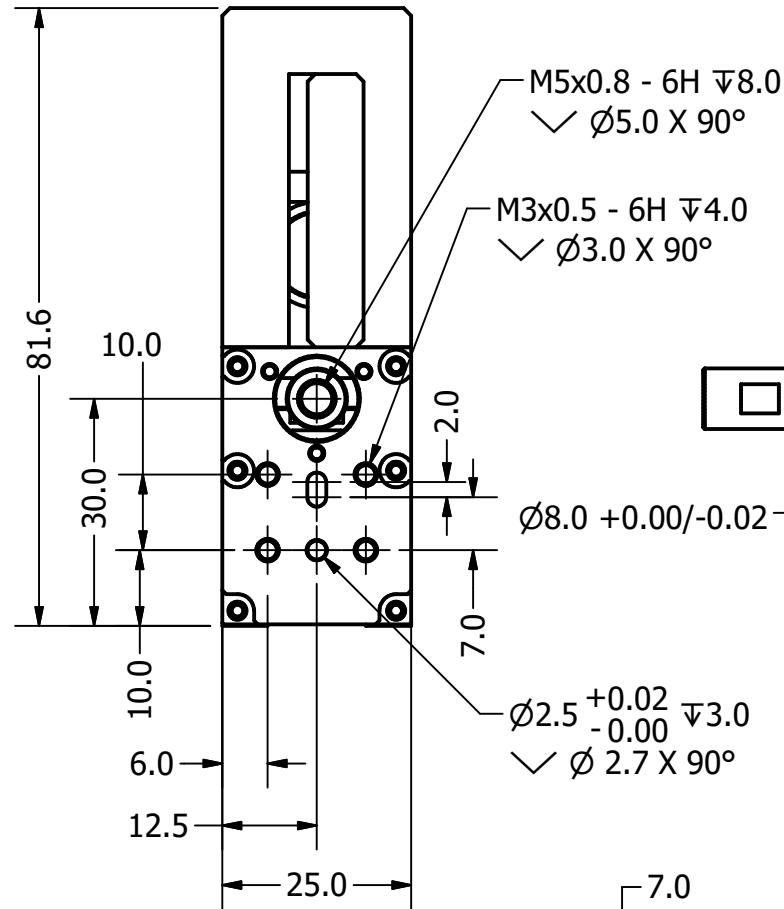


**NOTES (UNLESS OTHERWISE SPECIFIED)**

1. ALL DIMENSIONS ARE IN mm UNLESS OTHERWISE NOTED.
2. OPERATING TEMPERATURE 0°C TO 45°C
3. ENCODER RESOLUTION: 5, 1
4. ENCODER REPEATABILITY: ±4 COUNTS
5. STROKE: 25mm
6. PEAK FORCE: 40N 48VDC @3.3AMP
7. CONTINUOUS FORCE: 16N @ 1.3AMP
8. RESISTANCE: 14.4 Ohms
9. MOVING MASS: 120g
10. TOTAL MASS: 1Kg

REVISION HISTORY				
REV	DATE	ECN	DESCRIPTION	APPROVED
B	2/2/2017		NOTES	MAC
C	11/21/2016		ADDED AMPS	MAC
D	9/26/2018		ADD OHMS	MAC
E	1/10/2019		PINOUT	MAC



**PIGTAIL**

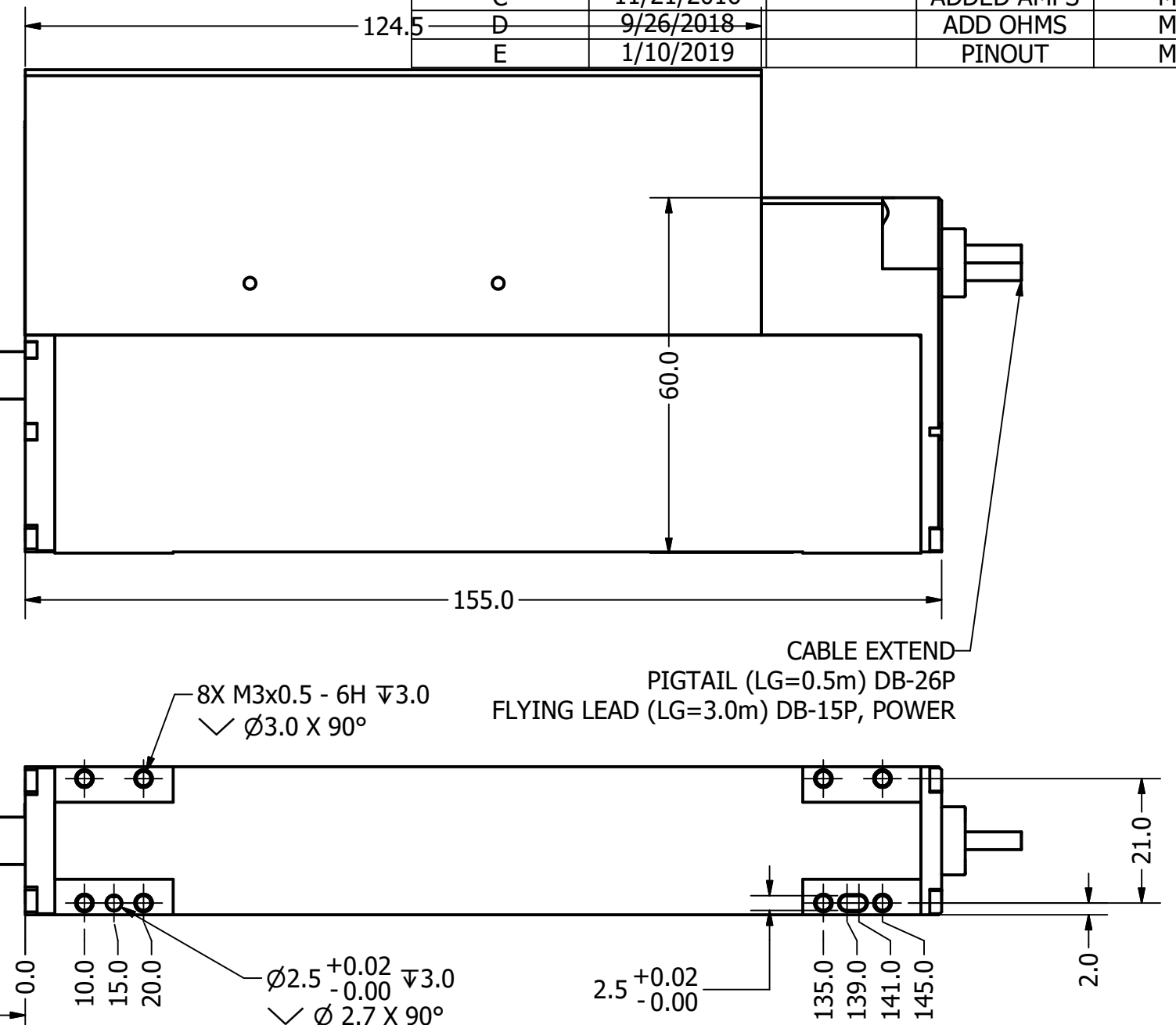
DB 26P	
PIN No	DETAIL
1	PH. A+
2	PH. B+
3	PH. Z+
4	NC
5	NC
6	I/O RTN
7	NC
8	NC
9	NC
10	PH. A-
11	PH. B-
12	PH. Z-
13	NC
14	NC
15	NC
16	NC
17	NC
18	NC
19	+5V DC
20	5V RTN
21	COIL +
22	COIL +
23	COIL -
24	COIL -
25	NC
26	NC

**FLYING LEAD**

DB-15P	
PIN No	DETAIL
1	PH. A+
2	PH. Z+
3	PH. B+
4	+5V
5	NC
6	NC
7	NC
8	NC
9	PH. A-
10	PH. Z-
11	PH. B-
12	5V RTN
13	5V RTN
14	NC
15	NC

**FULL RETRACT**

POWER	
PIN No	DETAIL
1	V RTN
2	+V
3	COIL +
4	COIL -
5	
6	



CABLE EXTEND  
PIGTAIL (LG=0.5m) DB-26P  
FLYING LEAD (LG=3.0m) DB-15P, POWER

TOLERANCES ARE:

X.	± 0.50
X.X	± 0.1
X.XX	± 0.05
X.XXX	±
ANGULARITY	± 0.1°
CONCENTRIC	± 0.01
ROUNDNESS	± 0.05
EDGE BREAK	0.02 MAX
CHAMFER	0.03 MAX

FILE NAME:  
LCB25-025-7X-2\_E.idw

MATERIAL:		<b>SMAC</b>		REF. NUMBER	
				LCB25-025-7X-2	
HEAT TREATMENT:		DESIGNED BY:	DATE:	CHECKED BY:	DATE:
		toanvu	7/15/2010		
MACHINE FINISH:		DRAWN BY:	DATE:	APPROVED BY:	DATE:
3.2/		mark	11/21/2016		
EXCEPT NOTED		PART NAME:			SHEET NUMBER:
PROTECTIVE FINISH:		<b>LCB25-025-7X-2</b>			1 OF 1
SCALE:		DWG SIZE:	PART NUMBER:	REVISION:	
DO NOT SCALE DWG		B		E	
SPEC. NUMBER:					