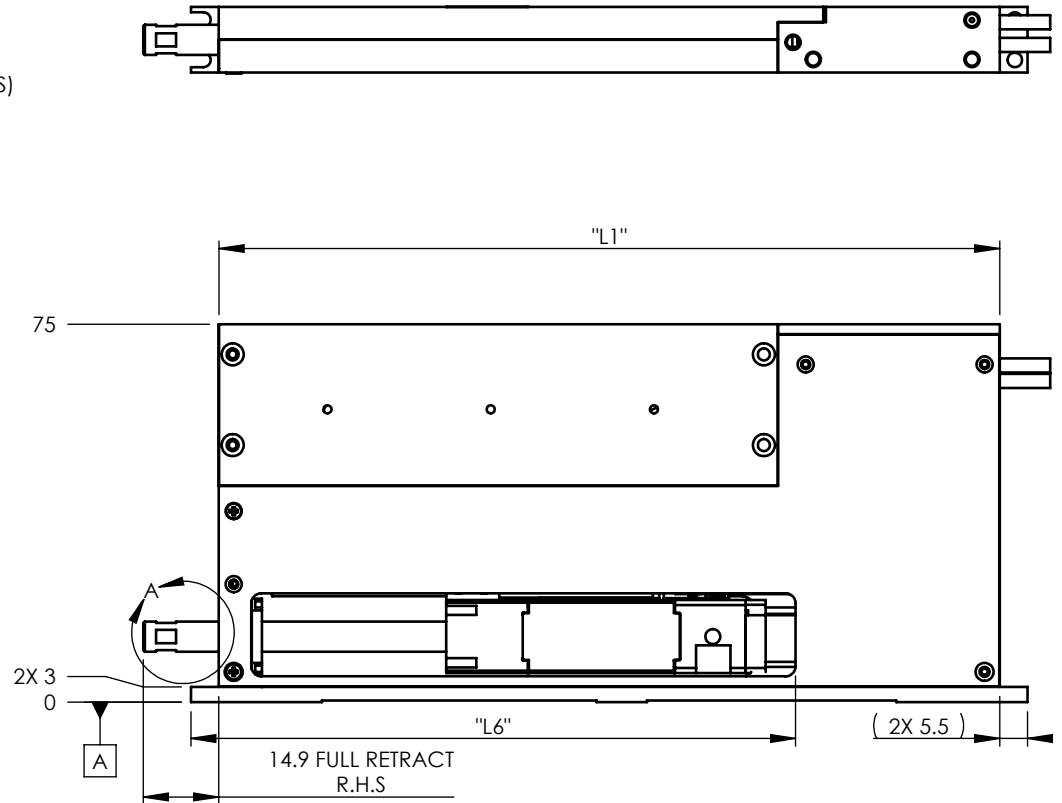
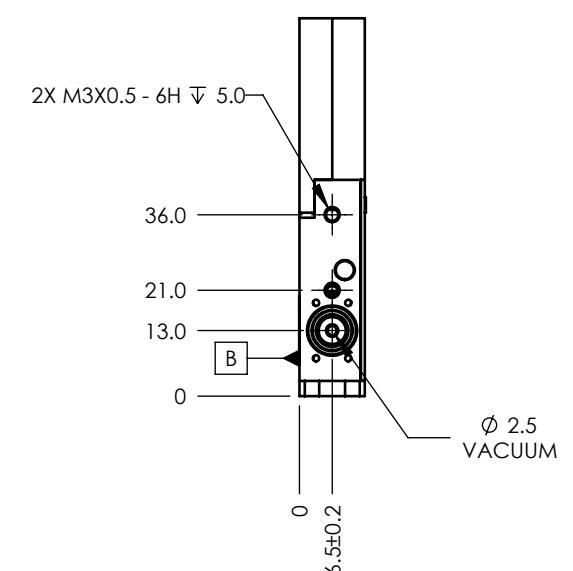


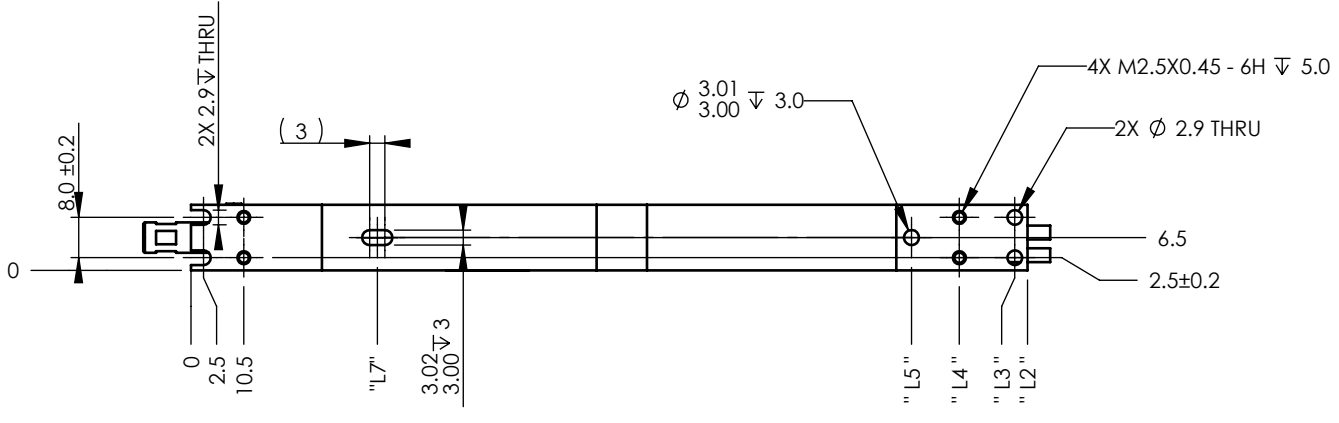
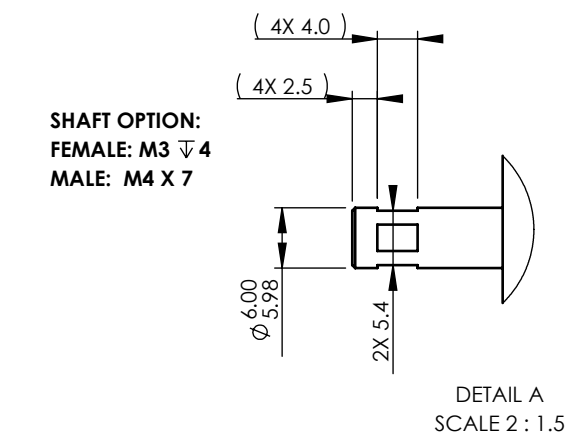
**SPECIFICATIONS:**

1. ROTARY SPECIFICATION:  
 ROTARY ENCODER: 24K counts/Rev.  
 PEAK TORQUE: 47mNm (24Vdc)  
 RATE TORQUE: 15mNm  
 MAXIMUM SPEED: 1000 RPM  
 TS4862 (5w)
2. ENCODER INDEX: 2 ± 1mm FROM REAR STOP (LINEAR AXIS)
3. LINEAR POLE PITCH: 18.3mm (LINEAR AXIS)
4. OPERATING TEMPERATURE: 0°C TO 40°C
5. INNER FLUSH NOSE BUSHING
6. ALL DIMENSIONS ARE IN mm

REVISIONS				
REV	ECR	DESCRIPTION	DATE	APPROVED
B1		UPDATE	1/31/2017	TMV
C	6052	REMOVE THE HOLES ON TOP OF LCR	4/6/2017	BJC
D		ADDED EXT NOSE BUSHING	5/21/2018	BJC
E		DWG UPDATE	2/20/2019	TMV



CABLE OPTION:  
 PIGTAIL (LG=0.5m) DB-26P  
 FLYING LEAD (LG=3m)  
 2x-DB-15P



**PIGTAIL**

1X (-6)		1X (-2)	
PIN No	DB-26P	PIN No	DB-26P
1	(L) PH. A+	1	(L) PH. A+
2	(L) PH. B+	2	(L) PH. B+
3	(L) PH. Z+	3	(L) PH. Z+
4	NC	4	NC
5	NC	5	(L) MOTOR+
6	NC	6	NC
7	(R) PH. B+	7	(R) PH. B+
8	(R) PH. A+	8	(R) PH. A+
9	(R) PH. Z+	9	(R) PH. Z+
10	(L) PH. A-	10	(L) PH. A-
11	(L) PH. B-	11	(L) PH. B-
12	(L) PH. Z-	12	(L) PH. Z-
13	NC	13	NC
14	NC	14	NC
15	NC	15	NC
16	(R) PH. B-	16	(R) PH. B-
17	(R) PH. A-	17	(R) PH. A-
18	(R) PH. Z-	18	(R) PH. Z-
19	+5 VDC	19	+5 VDC
20	5V RTN	20	5V RTN
21	(R) MOTOR (U)	21	(R) MOTOR (U)
22	(L) COIL (U)	22	(L) MOTOR+
23	(L) COIL (V)	23	(L) MOTOR -
24	(L) COIL (W)	24	(L) MOTOR -
25	(R) MOTOR (V)	25	(R) MOTOR (V)
26	(R) MOTOR (W)	26	(R) MOTOR (W)

**FLYING LEAD**

2X (-2 & -6)		2X (-2 & -6)	
PIN No	DB-15P	PIN No	PHOENIX. 6P
1	PH. A+	1	GND
2	PH. Z+	2	+V
3	PH. B+	3	MOTOR U (MOTOR +)
4	+5 Vdc	4	MOTOR V (MOTOR -)
5	NC	5	MOTOR W
6	NC	6	NC
7	NC		
8	NC		
9	PH. A -		
10	PH. Z -		
11	PH. B -		
12	5V RTN		
13	NC		
14	NC		
15	NC		

TABLE					
No	UNIT	DETAILS	LCR13-025-55-2	LCR13-035-15-6	LCR13-050-15-6
1	mm	LINEAR STROKE	25	35	50
2	N	PEAK FORCE	7	14	14
3	N/A	FORCE CONSTANT	2.5	9.4	9.4
4	micron	ENCODER RESOLUTION	5, 1	5, 1	5, 1
5	A	MAXIMUM CURRENT	3	1.5	1.5
6	Ohm	COIL RESISTANCE	8.1	13.5	13.5
7	mH	COIL INDUCTANCE	0.93	0.95	0.95
8	kg	MOVING MASS	0.110	0.150	0.155
9	kg	TOTAL MASS	0.430	0.550	0.620
10		VACUUM OPTION	YES	YES	YES
11		SPRING OPTION	YES	YES	YES
12	mm	DIMENSION L1	155	180	210
13	mm	DIMENSION L2	166	191	221
14	mm	DIMENSION L3	163.5	188.5	218.5
15	mm	DIMENSION L4	152.5	180.5	207.5
16	mm	DIMENSION L5	143	153	198.0
17	mm	DIMENSION L6	120	130	145
18	mm	DIMENSION L7	37	42.5	42.5

REF. NUMBER	LCR13
CONTRACT	LCR13

UNLESS OTHERWISE SPECIFIED  
 ALL DIMENSIONS ARE IN MM  
 BREAK EDGES AND REMOVE BURRS  
 TOLERANCES  
 X: ±0.5 X.X: ±0.1  
 X.XX: ±0.03 ANGLE: ±0.1°  
 CONCENTRICITY: ±0.025  
 ROUNDNESS: ±0.025  
 EDGE BREAKS: 0.2 MAX  
 ALL DIMENSIONS AND TOLERANCES ARE FINAL

MATERIAL:	NAME	DATE	<b>SMAC</b> MOVING COIL ACTUATORS 5807 VAN ALLEN WAY CARLSBAD CA, 92008 (760) 929-7588
FINISH:	DWN BY	BJC 1/27/2017	
MACHINE FINISH:	CHK BY	TMV 2/01/2017	
	ENG APP	TMV 2/01/2017	
INTERPRET PER:	MFG APP	QA APP	TITLE:
ASME Y14.5-2009	1.6		LCR13-0XX-YY-Z
THIRD ANGLE PROJECTION	PROPRIETARY AND CONFIDENTIAL THE INFORMATION CONTAINED IN THIS DRAWING IS THE SOLE PROPERTY OF SMAC. ANY REPRODUCTION IN PART OR AS A WHOLE WITHOUT THE WRITTEN PERMISSION OF SMAC IS PROHIBITED.		SIZE: B PART NO: SEE TABLE SCALE: 2:3 DO NOT SCALE SHEET: 1/1