

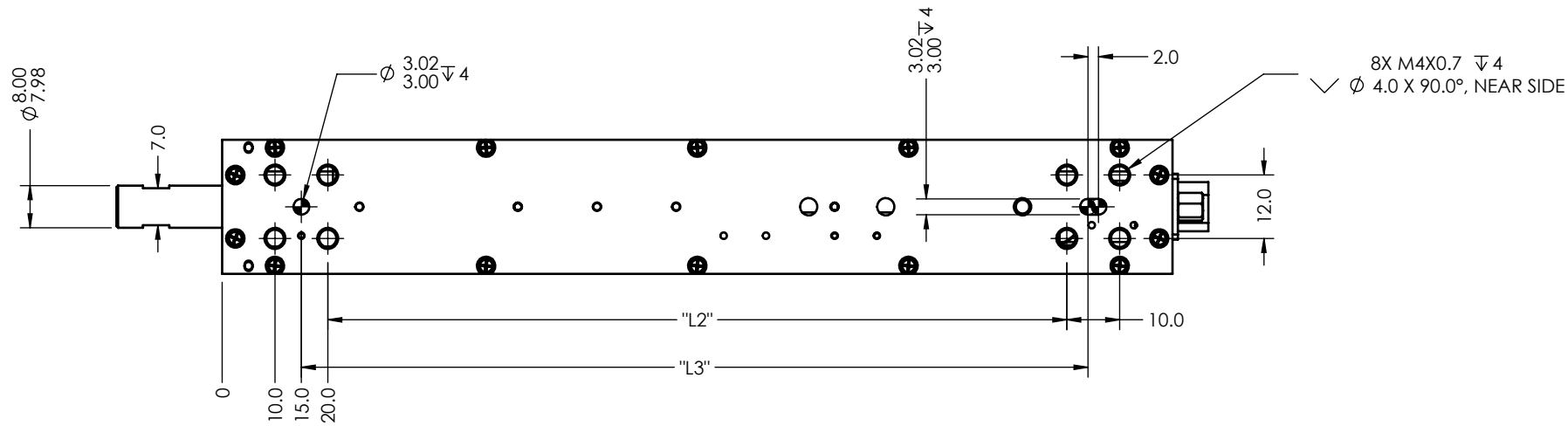
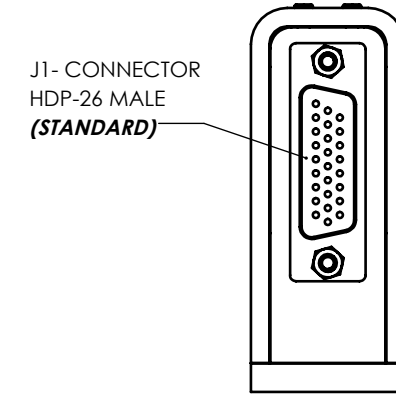
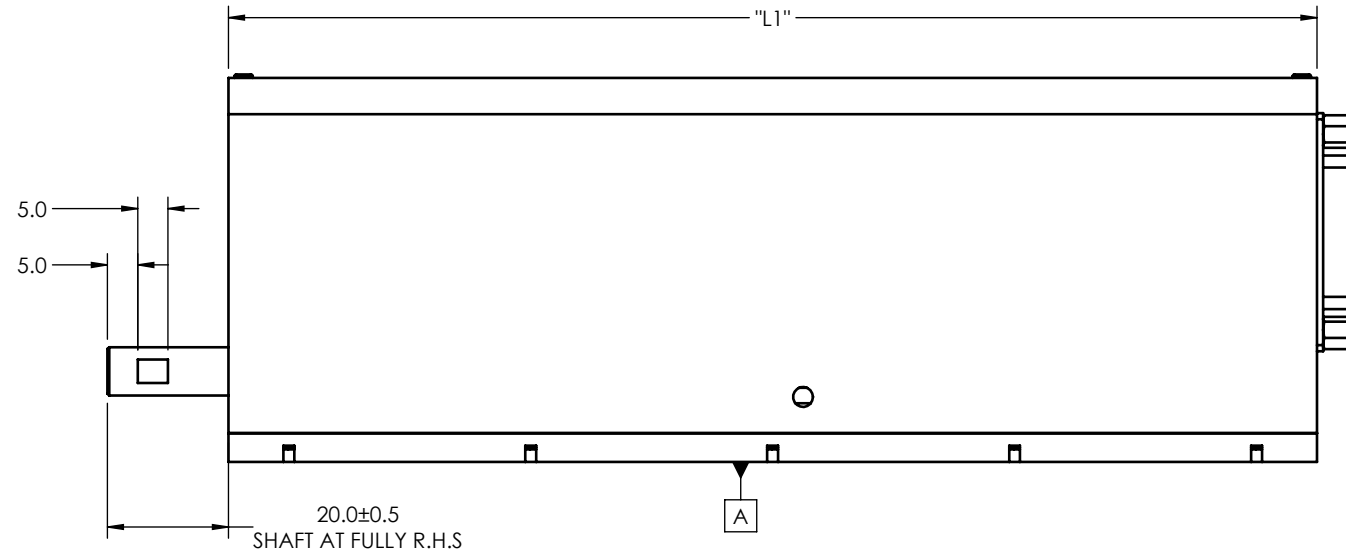
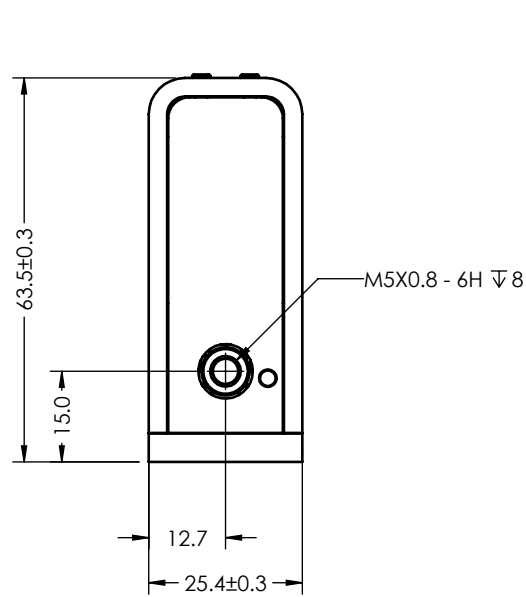
NOTES (UNLESS OTHERWISE SPECIFIED)

- 1. LINEAR SPECIFICATIONS:  
ENC. RESOLUTION(+A/-A;+B/-B): 5,1 um  
ENCODER REPEATABILITY: 10, 2 um  
INDEX LOCATION(+Z/-Z): 1.5 - 3.5 mm R.H.S
- 2. MAGNET POLE PITCH: 18.3 mm
- 3. OPERATING TEMPERATURE: 0°C TO 40°C
- 4. PLATING: CERAKOTE, COLOR BLACK

PLEASE SEE NEXT SHEET FOR CONNECTOR OPTION:

- 1. FLYING LEAD CABLE WITH HDP-26S ( 2 METER LG)
- 2. PIGTAIL EXTENSION CABLE (FROM HDP-26S FE. TO HDP-26P M.) (0.5 METER LG)
- 3. D-SUB 15 & M12 DIN CONNECTOR (CONSULT FACTORY)

REVISIONS				
REV	ECR	DESCRIPTION	DATE	APPROVED
A3	-	UPDATED THE COIL SPECS	4/29/2021	TV
B	-	UPDATED SHAFT DIAMETER	5/11/2021	HE
C	-	UPDATED CABLE PINOUT	5/24/2021	VH
D	-	UPDATED DATA SHEET, ADDED 75MM STROKE	6/21/2021	HE
E	-	UPDATED DATA SHEET & PINOUT	11/18/2021	HE
F	-	UPDATED PINOUT, MOUNTING HOLES WAS M3	2/24/2022	HE
G	-	UPDATED SHAFT RETRACT DIM	3/1/2022	HE



STANDARD	
J1- HDP-26P MALE CONN.	
PIN	DETAIL
1	PH. A+
2	PH. B+
3	PH. Z+
4	NC
5	NC
6	NC
7	NC
8	NC
9	NC
10	PH. A-
11	PH. B-
12	PH. Z-
13	NC
14	NC
15	NC
16	NC
17	NC
18	NC
19	+5VDC
20	5V RTN
21	NC
22	MU
23	MV
24	MW
25	NC
26	NC

VACCUM \*\* (FACTORY CHECK)

STANDARD

No	DETAILS	UNIT	LDL25-010-3X-6	LDL25-025-3X-6	LDL25-050-3X-6	LDL25-075-3X-6	LDL25-100-3X-6
1	Linear stroke	mm	10	25	50	75	100
2	Peak force	N	30	30	30	30	30
3	Force constant	N/A	8.4	8.4	8.4	8.4	8.4
4	Peak current	A	3.6	3.6	3.6	3.6	3.6
5	Terminal resistance	Ohm	12.1	12.1	12.1	12.1	12.1
6	Coil inductance	mH	1.1	1.1	1.1	1.1	1.1
7	Moving mass	Kg	0.1	0.1	0.11	0.12	0.13
8	Total mass	Kg	0.9	0.9	1.1	1.3	1.6
9	Vacuum option		YES(**)	YES(**)	YES(**)	YES(**)	YES(**)
10	Spring return opt		YES	YES	YES	YES	YES
11	Dimension L1	mm	155	155	180	220	260
12	Dimension L2	mm	115	115	140	180	220
13	Dimension L3	mm	124	124	149	189	229

REF. NUMBER	LDL25
CONTRACT	STD

UNLESS OTHERWISE SPECIFIED  
ALL DIMENSIONS ARE IN MM  
BREAK EDGES AND REMOVE BURRS  
TOLERANCES  
X: ±0.5 X.X: ±0.1  
X.XX: ±0.03 ANGLE: ±0.1°  
CONCENTRICITY: ±0.025  
ROUNDNESS: ±0.025  
EDGE BREAKS: 0.2 MAX  
ALL DIMENSIONS AND TOLERANCES ARE FINAL

MATERIAL:	NAME	DATE
FINISH:	DWN BY	HE 8/17/2021
MACHINE FINISH: 1.6/	CHK BY	TV 8/17/2021
INTERPRET PER: ASME Y14.5-2009	ENG APP	TV
THIRD ANGLE PROJECTION	MFG APP	
	QA APP	

**SMAC** 5807 VAN ALLEN WAY CARLSBAD CA, 92008 (760) 929-7588

**MOVING COIL ACTUATORS**

**LINEAR ACTUATOR**

SIZE: B PART NO: LDL25-XXX-YY-6F REV: G

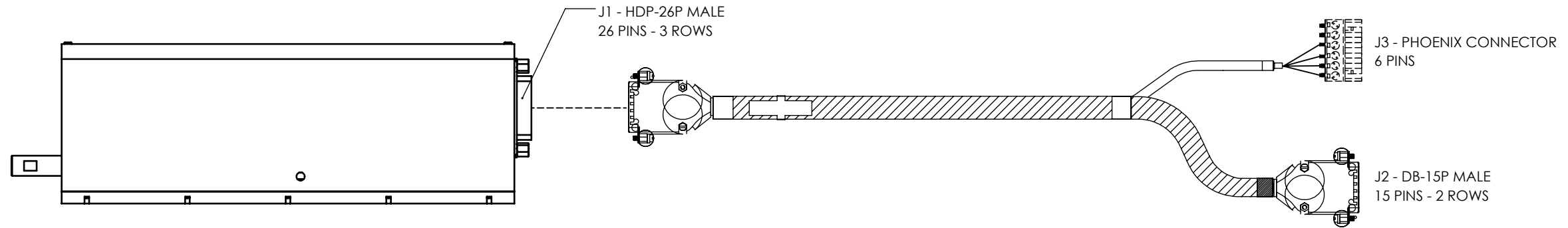
SCALE: 1:1.25 DO NOT SCALE SHEET: 1 / 2

### CABLE OPTION

1. FLYING LEAD CABLE WITH D-SUB 26 ( 2 METER LG)
2. FLYING LEAD CABLE WITH D-SUB 15 ( 2 METER LG) (USE MOD)
3. PIGTAIL EXTENSION CABLE (FROM HDP-15S FE. TO HDP-26P M.) (0.5 METER LG) (USE MOD)
4. M12 CONNECTOR (CONSULT FACTORY)

REVISIONS				
REV	ECR	DESCRIPTION	DATE	APPROVED
A3	-	UPDATED THE COIL SPECS	4/29/2021	TV
B	-	UPDATED SHAFT DIAMETER	5/11/2021	HE
C	-	UPDATED CABLE PINOUT	5/24/2021	VH
D	-	UPDATED DATA SHEET, ADDED 75MM STROKE	6/21/2021	HE
E	-	UPDATED DATA SHEET & PINOUT	11/18/2021	HE
F	-	UPDATED PINOUT, MOUNTING HOLES WAS M3	2/24/2022	HE
G	-	UPDATED SHAFT RETRACT DIM	3/1/2022	HE

### ACTUATOR WITH D-SUB 26 PINS CONNECTOR



J1 - HDP-26P CONN.	
PIN	DETAIL
1	PH. A+
2	PH. B+
3	PH. Z+
4	NC
5	NC
6	NC
7	NC
8	NC
9	NC
10	PH. A-
11	PH. B-
12	PH. Z-
13	NC
14	NC
15	NC
16	NC
17	NC
18	NC
19	+5VDC
20	5V RTN
21	NC
22	MU
23	MV
24	MW
25	NC
26	NC

J2 - DB-15P CONN.	
PIN	DETAIL
1	A+
2	Z+
3	B+
4	+5VDC
5	NC
6	NC
7	NC
8	NC
9	A-
10	Z-
11	B-
12	5V RTN
13	NC
14	NC
15	NV

J3 - PHOENIX CONN.			
PIN	DETAIL		
1	GND		
2	+V		
3	MU		
4	MV		
5	MW		
6	GND (SHIELD)		

REF. NUMBER	LDL25
CONTRACT	STD

UNLESS OTHERWISE SPECIFIED  
 ALL DIMENSIONS ARE IN MM  
 BREAK EDGES AND REMOVE BURRS  
 TOLERANCES  
 X: ±0.5 X.X: ±0.1  
 X.XX: ±0.03 ANGLE: ±0.1°  
 CONCENTRICITY: ±0.025  
 ROUNDNESS: ±0.025  
 EDGE BREAKS: 0.2 MAX  
 ALL DIMENSIONS AND TOLERANCES ARE FINAL

MATERIAL:  
 FINISH:  
 MACHINE FINISH: 1.6  
 INTERPRET PER: ASME Y14.5-2009  
 THIRD ANGLE PROJECTION

NAME	DATE
HE	8/17/2021
CHK BY	8/17/2021
ENG APP	TV
MFG APP	
QA APP	

**SMAC** 5807 VAN ALLEN WAY  
 CARLSBAD CA, 92008  
 (760) 929-7588

TITLE: **MOVING COIL ACTUATORS**

**LINEAR ACTUATOR**

SIZE: B PART NO: **LDL25-XXX-YY-6F** REV: **G**

SCALE: 1:1.25 **DO NOT SCALE** SHEET: 2 / 2